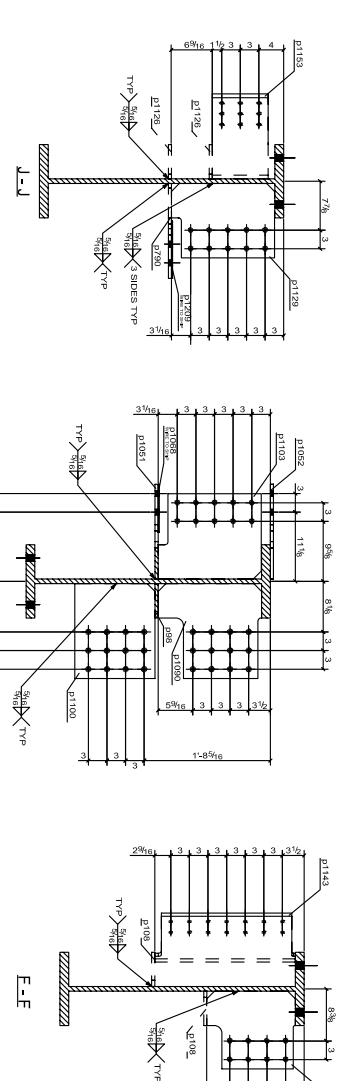
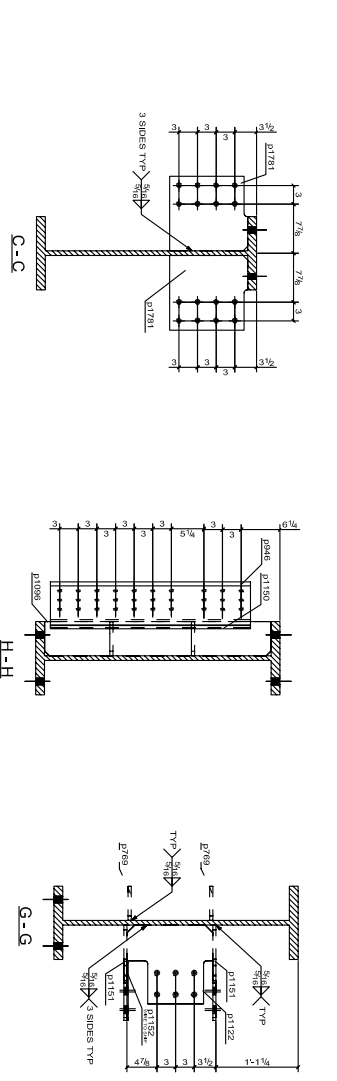
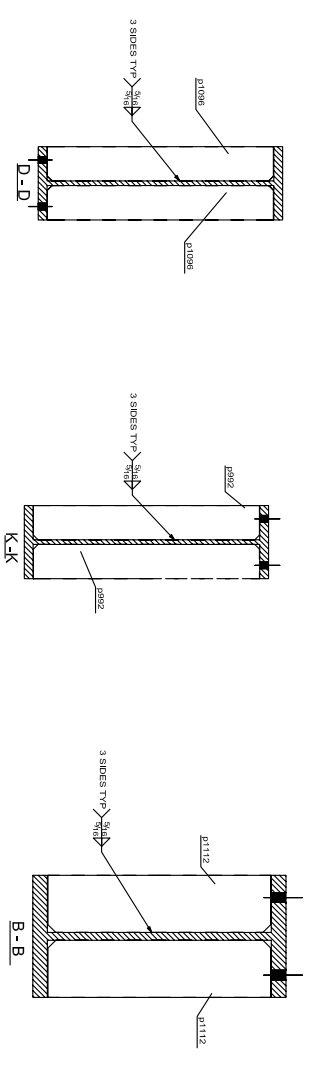
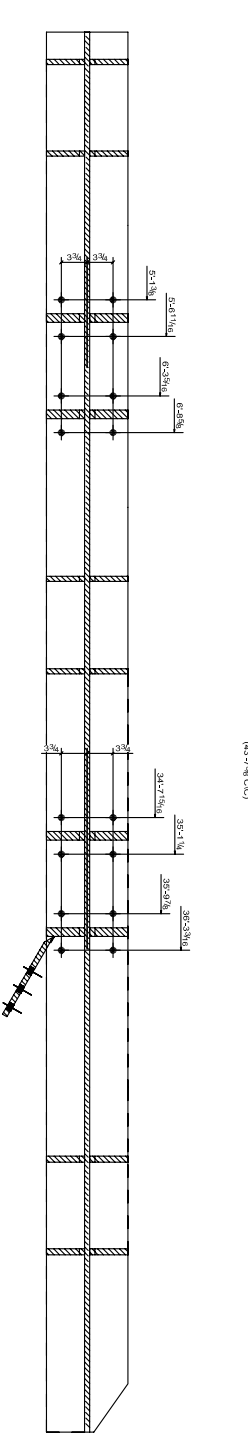
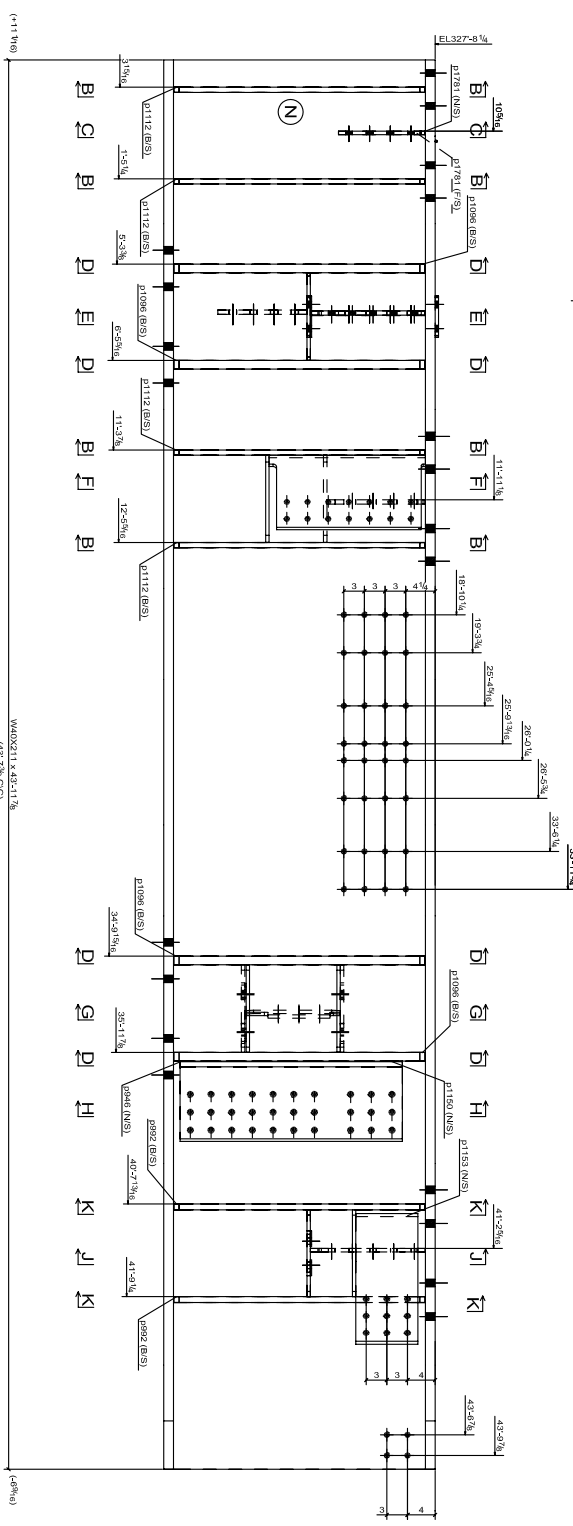
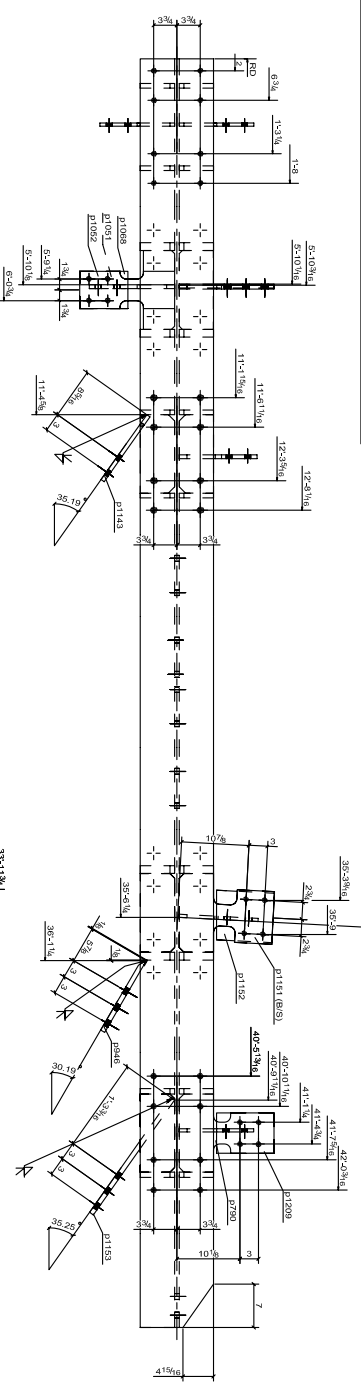


REV	DATE	DESCRIPTION
1	12-14-07	ISSUED FOR FABRICATION



ONE BEAM A145
(DIV-9)

REF DWG: NO. E3
TOTAL WT. 10961.7

QTY.	MK.	SIZE	LENGTH	lbs.	REMARKS	QTY.	MK.	SIZE	LENGTH	lbs.	REMARKS
1	'm57'	W40X211	43'-11 7/8"	9281.2	A992	1	p1103	PL5/8X13 3/4	1'-4 5/8"	38.1	44W
1	p98	PL1/2X5 1/2	1'-0 11/16"	9.9	44W	8	p1112	PL3/4X5 1/2	3'-0 7/16"	342.6	44W
2	p108	PL1/2X5 1/2	1'-0 11/16"	19.5	A572-GR.50	1	p1122	PL1/2X12 11/16	1'-1 7/8"	20	A572-50
2	p769	PL1/2X5 1/2	1'-0 11/16"	19.6	44W	2	p1126	PL1/2X5 1/2	1'-0 9/16"	19.6	44W
1	p790	PL1/2X12 9/16	1'-3 1/4"	17.7	A572-GR.50	1	p1129	PL1/2X12	1'-4 5/8"	26.6	44W
1	p946	PL3/4X13 3/8	2'-8 1/4"	87.1	A572-50	1	p1142	PL5/8X12 1/2	1'-2 5/16"	28.1	44W
4	p992	PL7/8X5 1/2	3'-0 7/16"	199.1	44W	1	p1143	PL5/8X12 13/16	1'-10 11/16"	48.2	44W
1	p1051	PL1/2X12 11/16	1'-3 1/4"	16.6	A572-GR.50	1	p1150	PL18X1	2'-8 1/4"	1.2	44W
1	p1052	PL1/2X6	1'-3 1/4"	11.8	A572-GR.50	2	p1151	PL1/2X12 11/16	1'-3 3/8"	38	A572-GR.50
1	p1068	PL3/16X6	0'-7 3/4"	2.5	44W	1	p1152	PL3/16X8	0'-9 5/16"	3.9	44W
1	p1090	PL5/8X15 1/4	1'-4 11/16"	36.9	44W	1	p1153	PL3/4X9	1'-10 11/16"	43.3	44W
8	p1096	PL1 1/4X5 1/2	3'-0 7/16"	570.4	44W	1	p1209	PL3/16X6 1/2	0'-9 1/4"	3.2	44W
1	p1100	PL5/8X12 15/16	1'-3 1/4"	35	44W	2	p1781	PL1/2X12	1'-0 9/16"	41.8	44W

145	DWG.	NEWARK LIBERTY INTERNATIONAL AIRPORT	JOB	15/16Ø U.NO	HLS	BS	DR.	PAC	CHK.	1183	CONT.	NONE	PAINT
-----	------	--------------------------------------	-----	-------------	-----	----	-----	-----	------	------	-------	------	-------