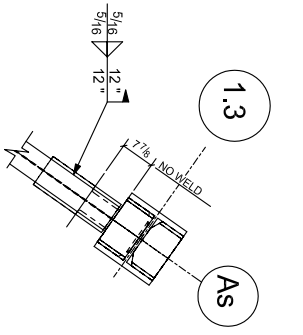
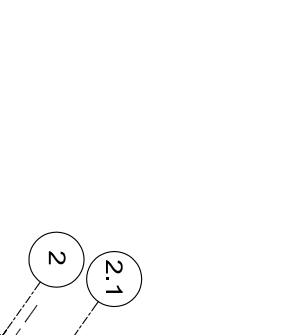


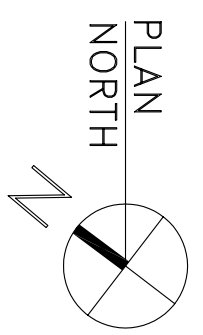
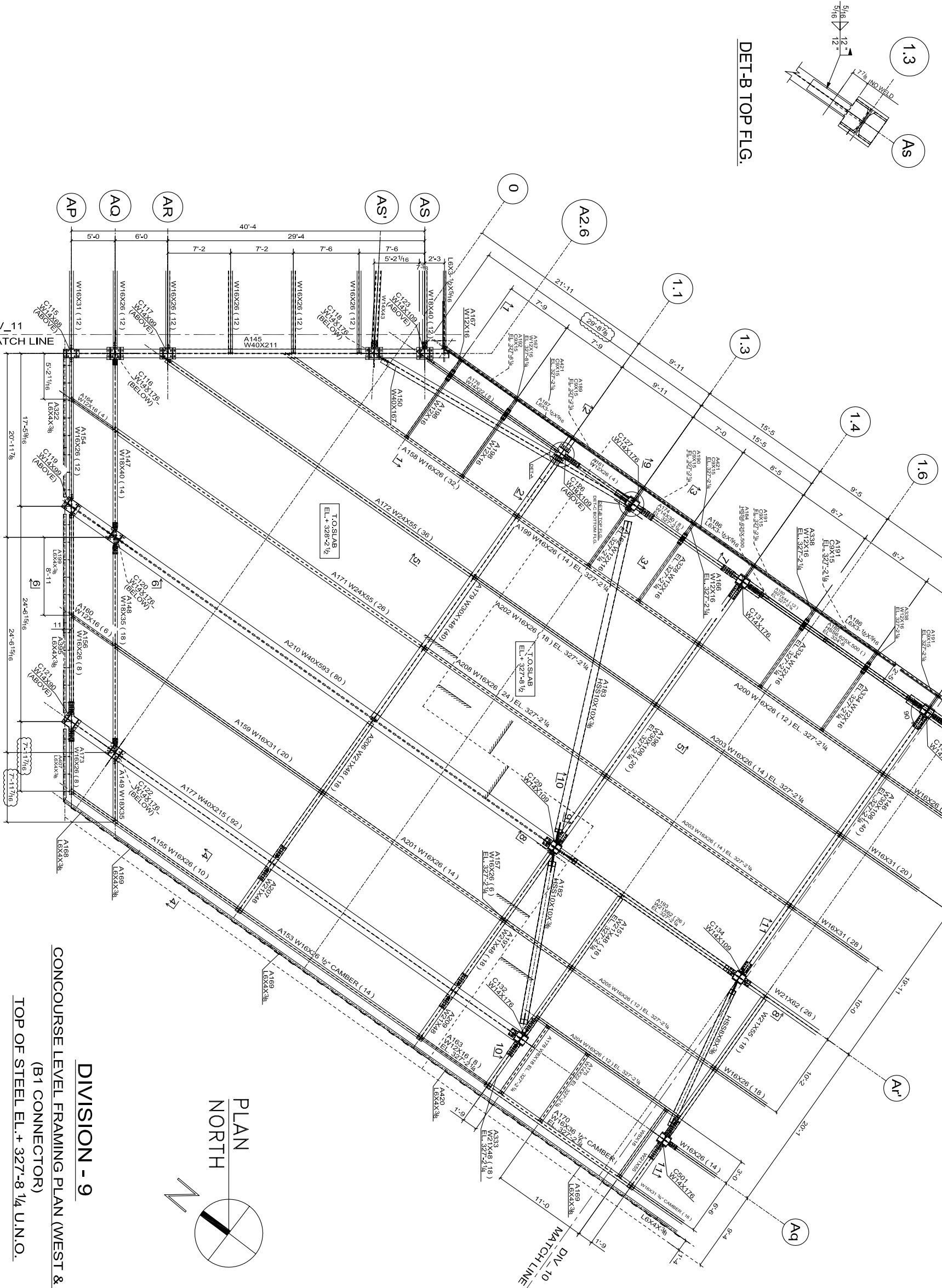
DETAIL-A



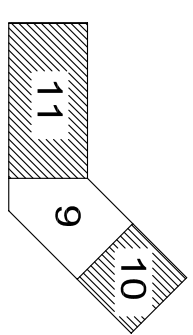
DETAIL-B TOP FLG.



DETAIL-C BOTTOM FLG.



KEY PLAN



- NOTES:-
- (1) REF. DESIGN DWG. NO S1033 & S1034.
 - (2) REF. ERECTION DWG. NO. E-11, E-12 FOR SECTION DETAIL
 - (3) PLEASE PROVIDEVERIFY ALL CLOUDED DIMENSIONS.
 - (4) REF. ERECTION DWG. NO. E-9 FOR BRACES ELEV. AND MKD.

Δ	FABRICATION	VKN	12.14.07
∇	FABRICATION	P.K.	11.21.07
▲	APPROVAL	P.K.	09.24.07
REV.	DESCRIPTION	BY	DATE
CUSTOMER			

PROJECT
NEWARK LIBERTY
INTERNATIONAL AIRPORT

SUBJECT
ERECTION PLAN
FOR B1 CONNECTOR

DRAWN BY
DN

CHECKED BY
DATE
12.14.07

CONTRACT #
1183

DRAWING #
E-3

ISSUE
1

DIVISION - 9
CONCOURSE LEVEL FRAMING PLAN (WEST & EAST)
(B1 CONNECTOR)
TOP OF STEEL EL. + 327'-8 1/4 U.N.O.