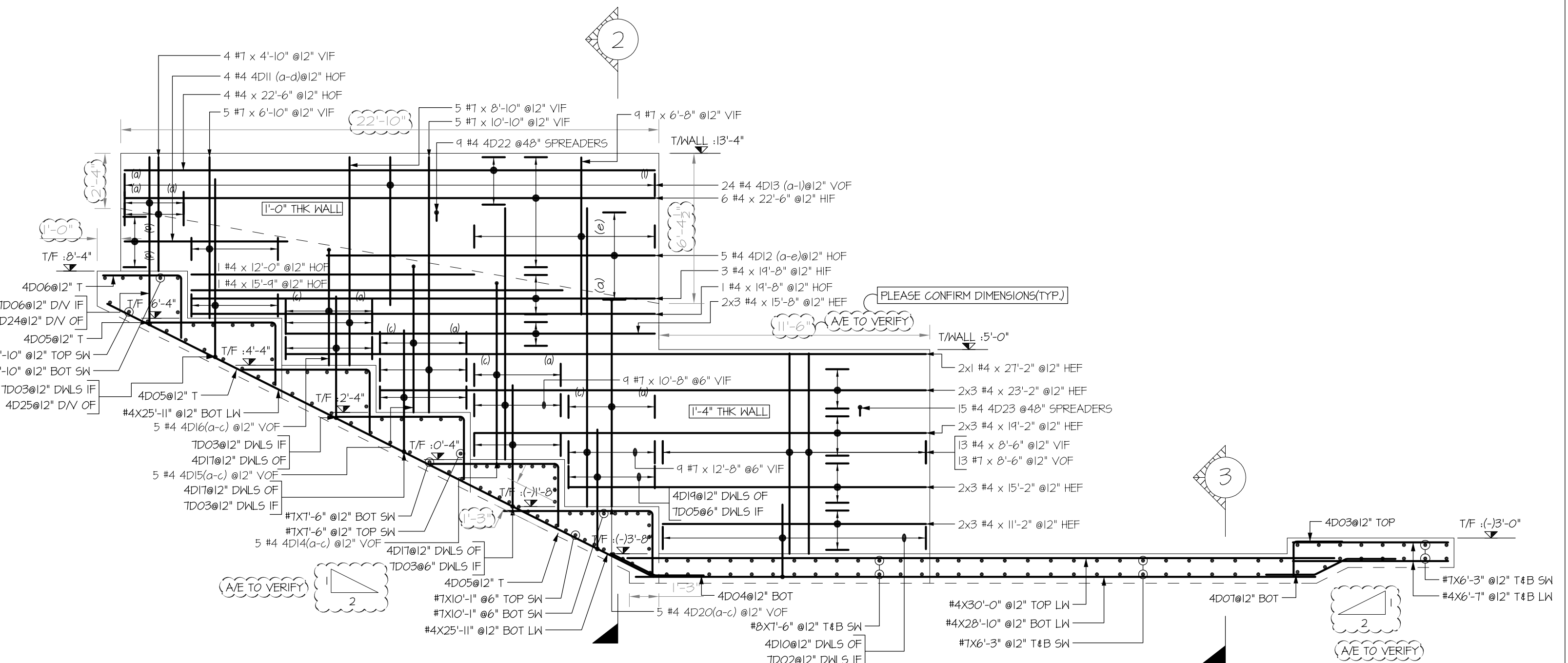
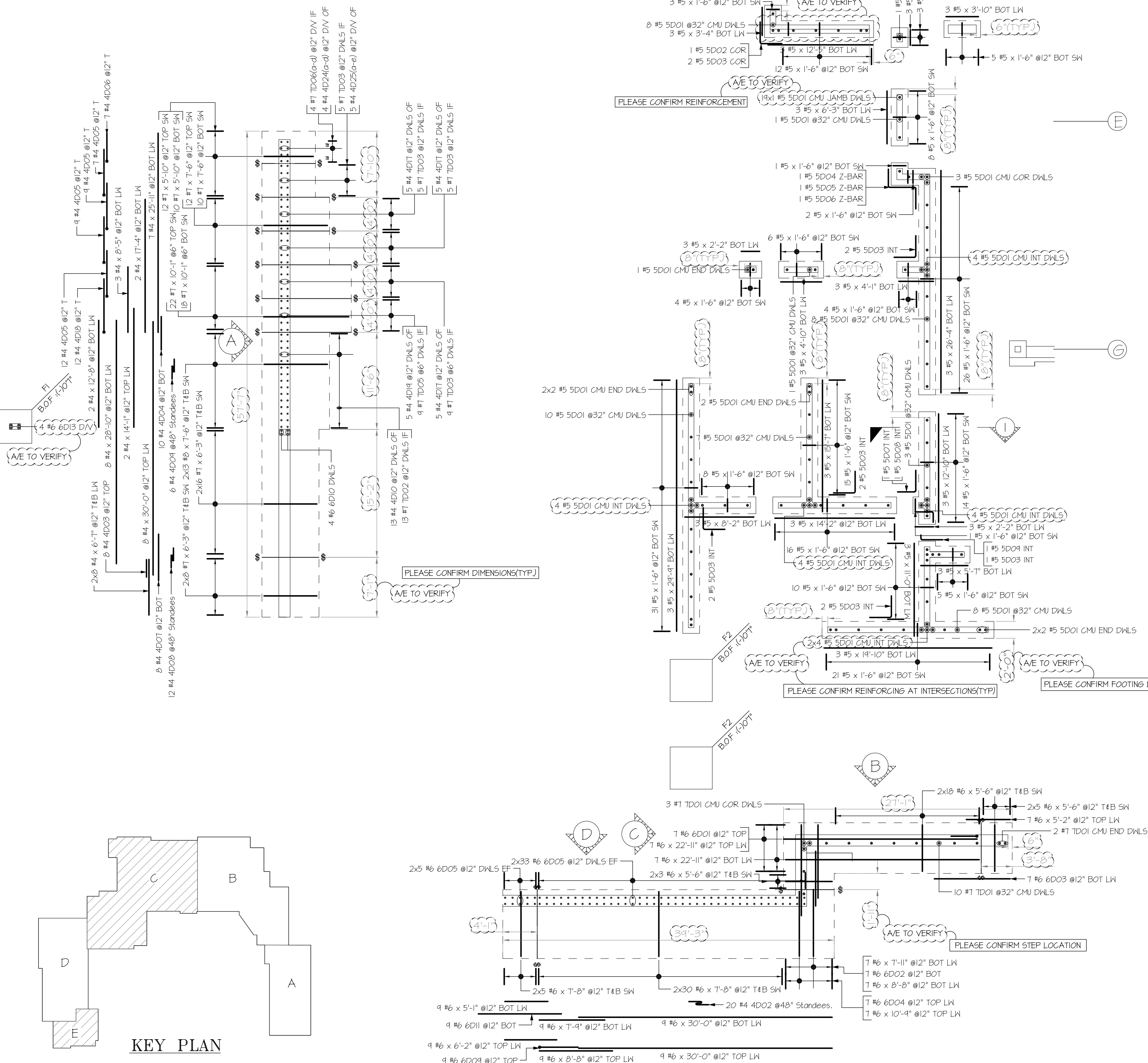
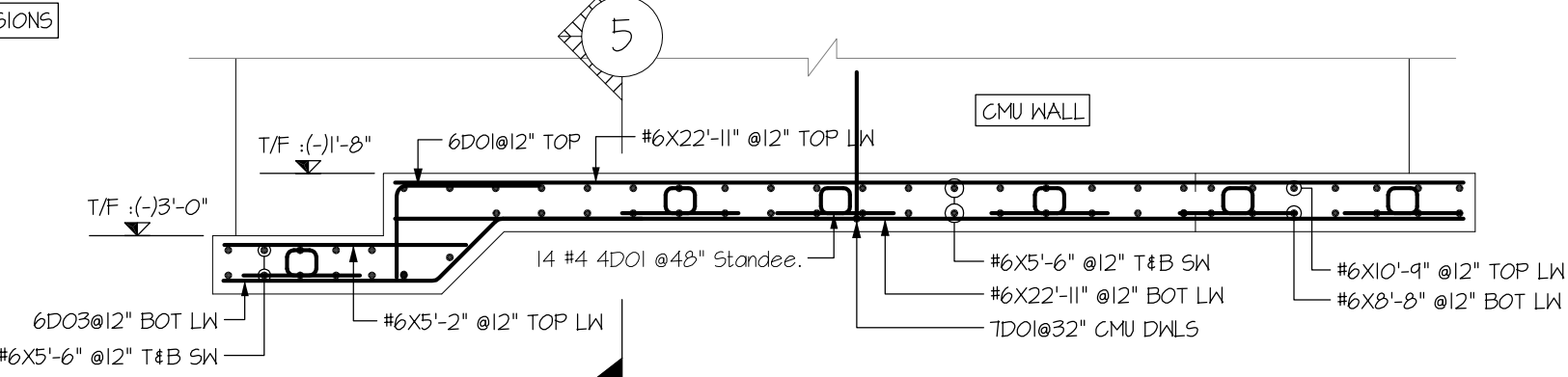


SPREAD FOOTING SCHEDULE

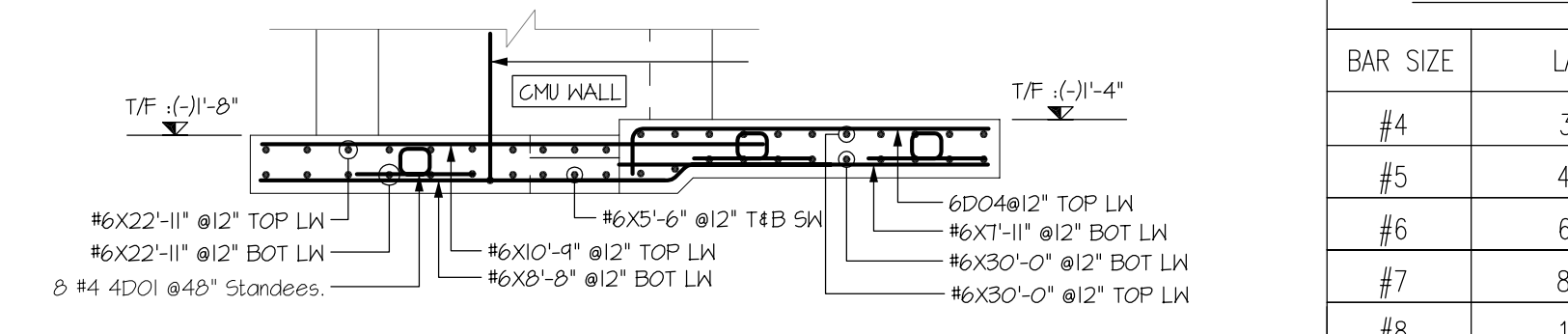
FTG. MARK	SIZE (LxBxD)	LOGS	SPREAD FOOTING REINFORCEMENT
F1	4'-0"x4'-0"x1'-3"	1	2x5 #1 x 3'-6" @12" Bot. EN
F2	5'-0"x5'-0"x1'-3"	6	6x2x6 #1 x 4'-6" @12" Bot. EN
F4	3'-0"x3'-0"x1'-3"	2	2x2x4 #1 x 2'-6" @12" T4B EN 2x4 #4 4D21 Standees.



ELEVATION-A
(SHOWING FOUNDATION WALLS REINF. DETAILS)
PLEASE CONFIRM FOOTING PROFILE & ARRANGEMENT



ELEVATION-B
(SHOWING FOUNDATION WALLS REINF. DETAILS)
SPR.S1.2



ELEVATION-C
(SHOWING FOUNDATION WALLS REINF. DETAILS)
SPR.S1.2

FOR FTGS. & WALLS

FOR CMU DWL		4000 PSI	
BAR SIZE	LAP	BAR SIZE	TOP BOT
#4	36"	#3	24" 19"
#5	45"	#4	32" 25"
#6	63"	#5	40" 31"
#7	85"	#6	48" 37"
#8	128"	#7	70" 54"
		#8	80" 62"

ABBREVIATION

VERTS	VERTICAL
HOR	HORIZONTAL
COR	CORNER
INT	INTERSECTION
DWLS	DOWELS
EF	EACH FACE

REV. NO.	DATE	DESCRIPTION
6		
5		
4		
3		
2		
1		



REINFORCING STEEL PLACING DRAWING ONLY. USE IN CONJUNCTION WITH CONTRACT DRAWINGS & SPECIFICATIONS. ELEVATIONS & DIMENSIONS SHOWN ON THIS DRAWING ARE FOR DETAILING PURPOSES ONLY AND SHOULD NOT BE USED FOR CONSTRUCTION UNLESS VERIFIED BY ENGINEER OR CONTRACTOR.

USE IN CONJUNCTION WITH THE CONTRACT DRAWING: S1.2 FOR SECTIONS SEE CONTRACT DRAWINGS: S5.3,S7.1

THIS PLACING DRAWING WAS PREPARED FROM CONTRACT DOCUMENTS DATED: 07-01-2015

Structure	RENOVATION & ADDITION TO WINDBER AREA MIDDLE SCHOOL/HIGH SCHOOL	Location	WINDBER, PA
Architect	MEKISSIC	Engineer	BARRY J. HAUGH AND ASSOC.
Customer	HUDSON GROUP	Contract No.	U-0779
Drawn by	ST	Date	11/15/15
DRAWING COVERS		DRAWING NO.	
SPREAD FOOTING, WALL FOOTING & WALLS-AREA C&E		R7	