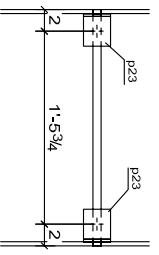
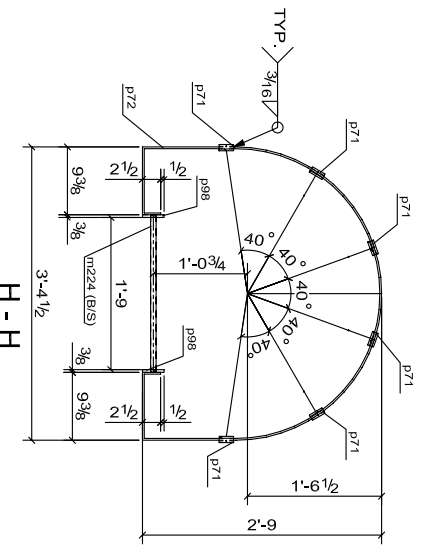
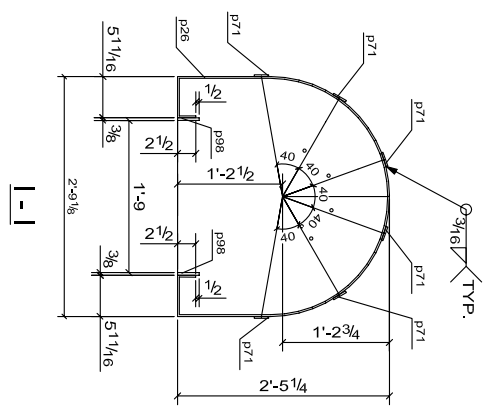
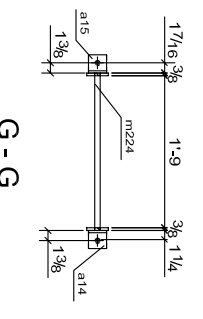
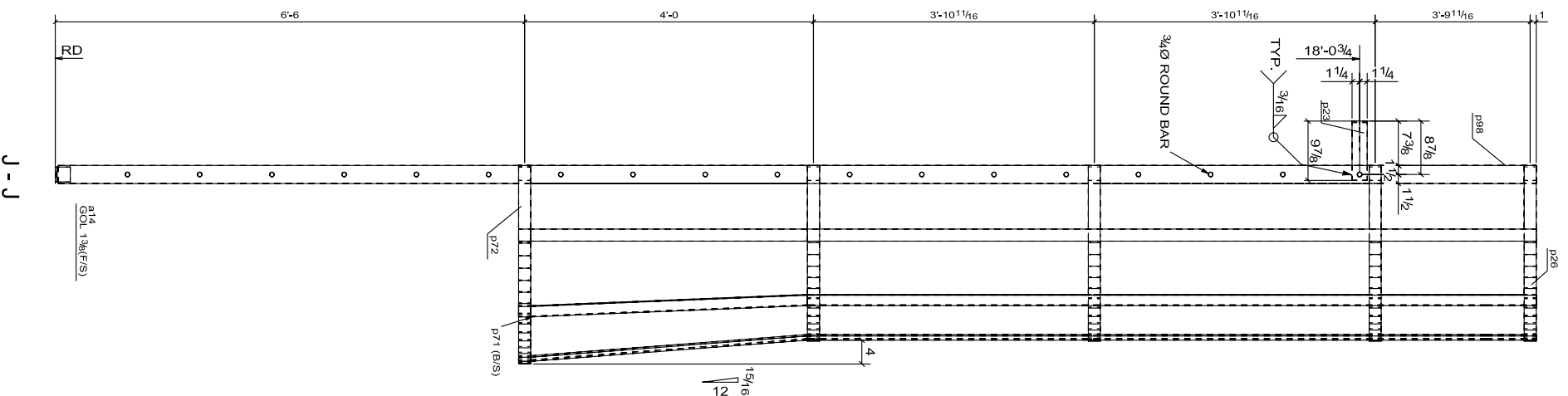
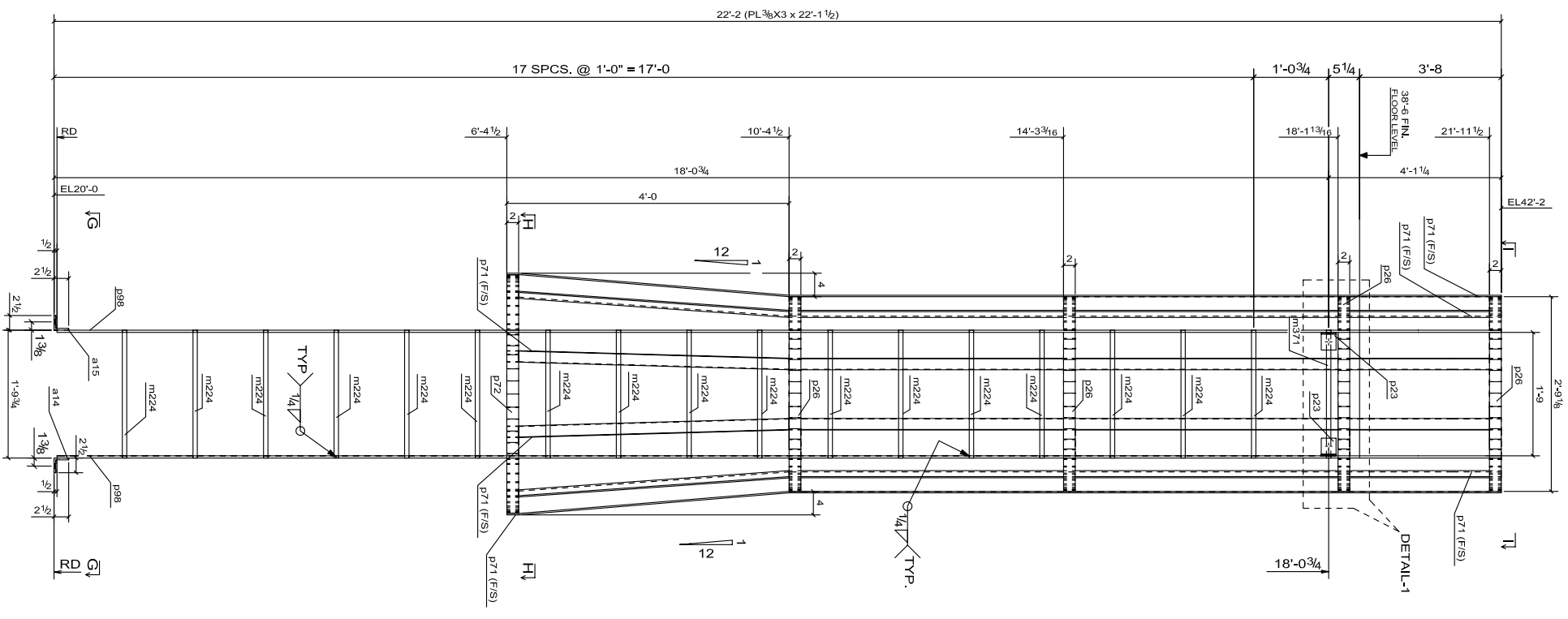


BILL OF MATERIALS						
NO.	DESCRIPTION	MARK	LENGTH	LENGTH	UNIT	WEIGHT
PCS				DECIMAL	WEIGHT	PER PIECE
2	P.3303	p98	22'-1 1/2"		188	
1	L2.1021.102516	a14	6'-2 1/2"		2	
1	L2.1021.102516	a15	1'-2 1/2"		2	
17	R0304	m224	1'-4 3/4"		46	
1	R0304	m371	1'-4 3/4"		3	
2	P.1442.112	p23	1'-0 3/8"		5	
4	P.1442	p26	7'-1 1/8"		53	
6	P.1442	p71	15'-4 1/8"		150	
1	P.1442	p72	6'-2 1/4"		16	



DETAIL-1



G-G

ONE CAGED LADDER 50CL1

APPROVAL STAMPS:

COMMENTS:

ISSUED FOR: APPROVAL, REVISION, PURCHASING, FABRICATION

DATE: 05-10-08

PROJECT: Biodesal Process Building

LOCATION: 50102018

DATE: 05-10-08

SCALE: 5/8" = 1'-0"