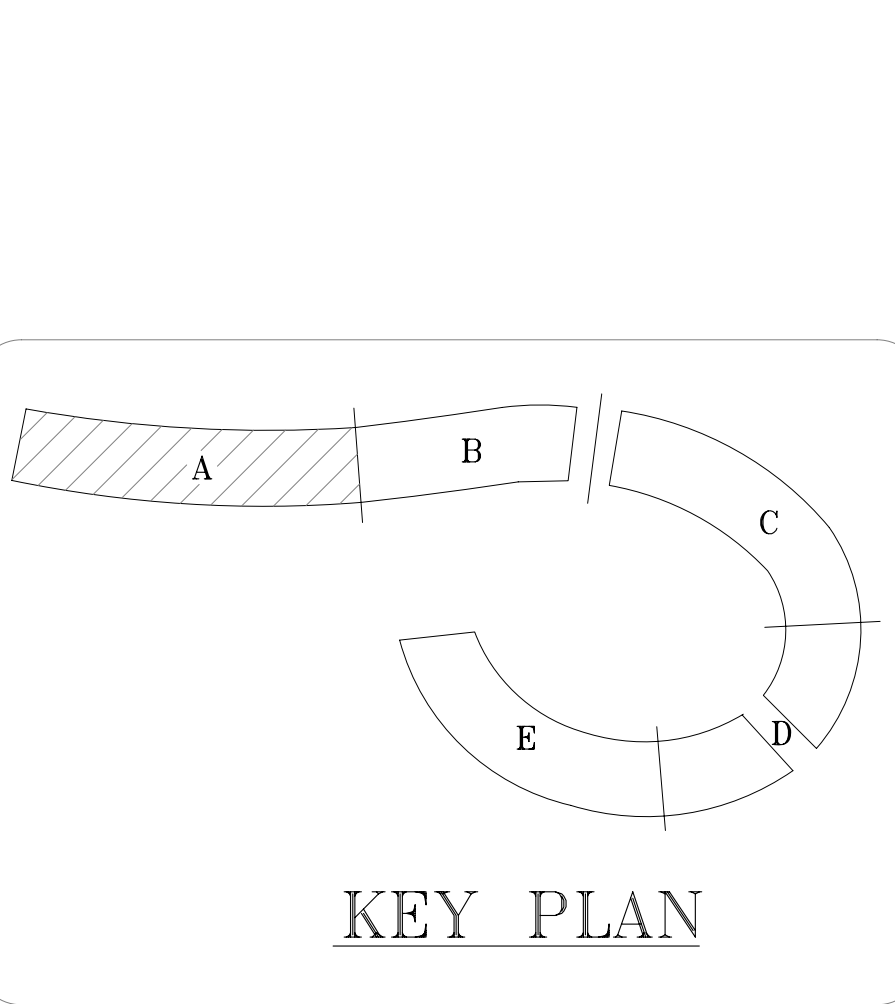
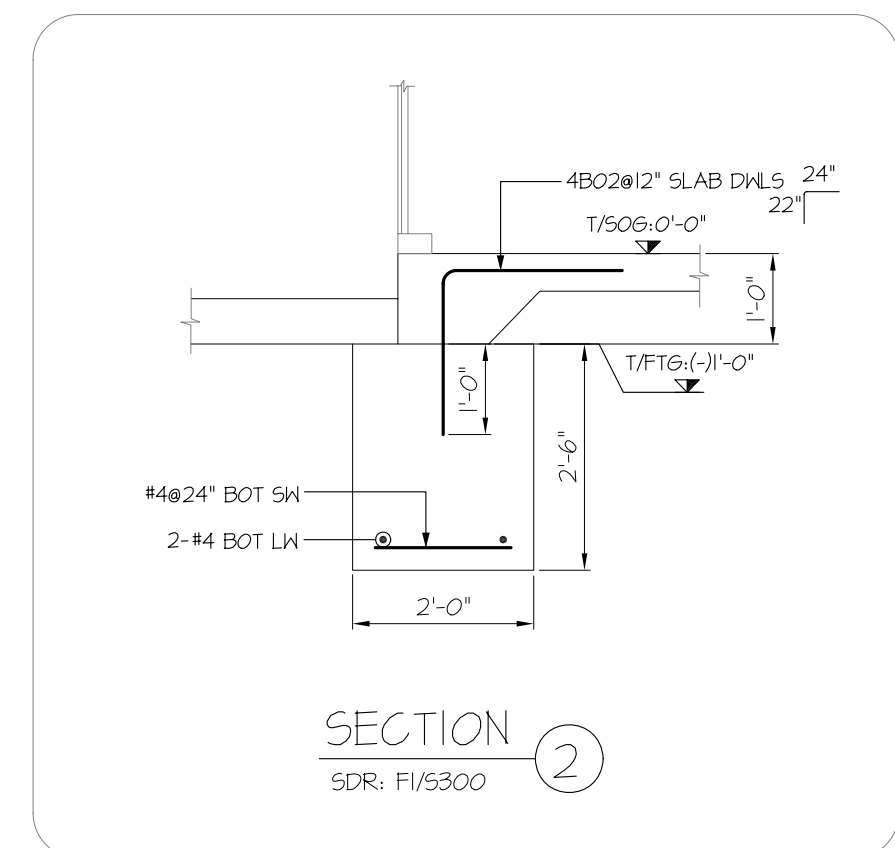


FOUNDATION PLAN LEVEL-01 (AREA-A)
(SHOWN WALL FTG & WALL DWLS REINF. DETAILS)
 SDR: 5101A



CLEAR COVER			
ELEMENT	TOP	BOT	SIDES
WALL FTG	0'-2"	0'-3"	0'-3"

ASTM A615 GRADE 60 UNCOATED
 REINFORCING STEEL PLACING DRAWING ONLY
 USE IN CONJUNCTION WITH CONTRACT DRAWINGS
 AND SPECIFICATIONS. ELEVATIONS & DIMENSIONS
 SHOWN ON THIS DRAWING ARE FOR DETAILING
 PURPOSES ONLY AND ARE NOT TO BE USED FOR
 CONSTRUCTION UNLESS VERIFIED BY THE
 ENGINEER OR CONTRACTOR

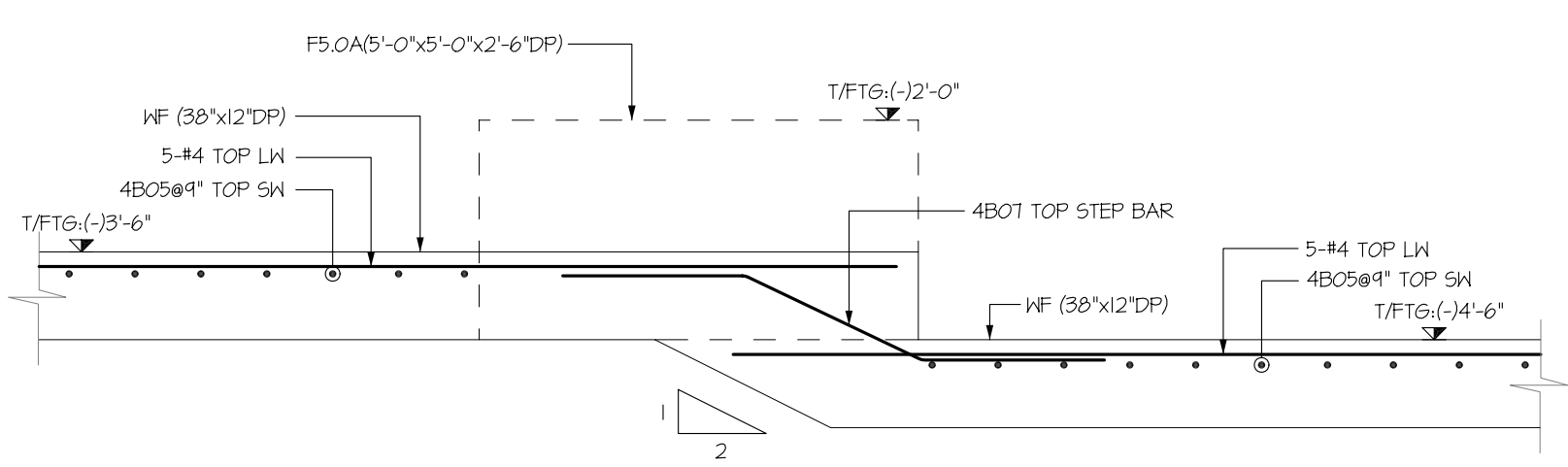
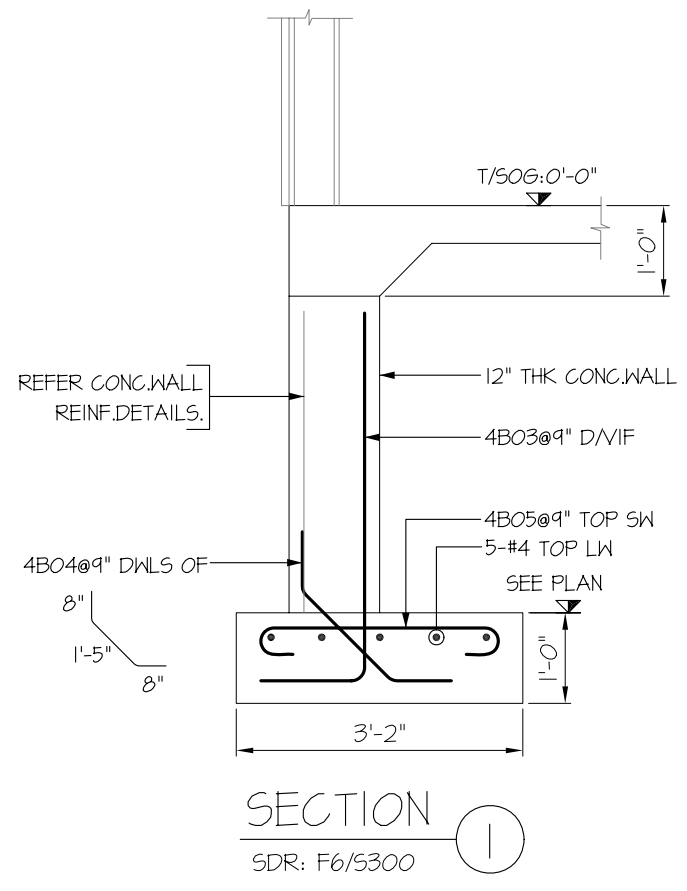
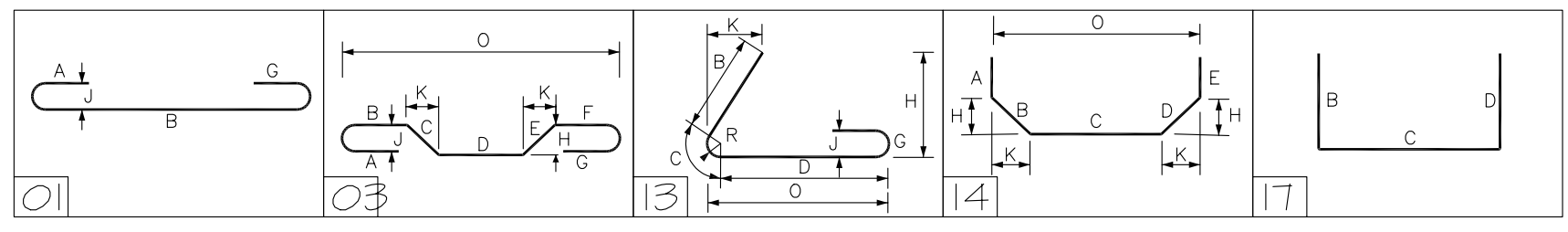
05/22/2015	FIELD USE
05/11/2015	APPROVAL
	SENT FOR

SIMSONA CORPORATION
 2275 Research Boulevard, Suite 500, Rockville, MD 20850
 Phone: 301-408-8553 Fax: 301-260-0234

STRUCTURE	ROWAN UNIVERSITY
LOCATION	201 MULLICA HILL STREET GLASSBORO, NJ
ARCHITECT	ERDY MCHENRY ARCHITECTURE
ENGINEER	ENVIRONETICS ONE PENN CENTER
CUSTOMER	
MADE BY	DATE 05/11/2015
CONTRACT NUMBER	
05/22/2015	FOR FIELD USE
05/11/2015	FOR APPROVAL
WALL FTG & WALL DWLS (AREA-A)	DRAWING NUMBER R2

Release Code: WALL FTG & WALL DWLS - (AREA-A) BENDING DETAILS.																
Bar Mark	Qty	Size	Total length	Type	'A'	'B'	'C'	'D'	'E'	'F'	'G'	'H'	'J'	'K'	'O'	'R'
4B01	24	#4	4'10"	17		2'0"	2'10"									
4B02	69	#4	3'10"	17		1'10"	2'0"									
4B03	148	#4	5'3"	17		1'2"	4'1"									
4B04	493	#4	2'9"	14	8"	1'5"	8"			10"					18"	
4B05	437	#4	3'8"	1	6"	2'8"			6"				4"			
4B06	345	#4	4'3"	17		1'2"	3'1"									
4B07	5	#4	6'4 1/2"	3		2'1"	2'2 1/2"	2'1"		1'0"				2'0"	6'2"	
4B08	5	#4	4'6"	13		2'1"	4"	2'1"		1'11 1/2"				1'2 1/2"	2'2 1/2"	1 1/2"
4B09	5	#4	9'5 1/2"	13		3'9"	3 1/4"	5'5"		3'3 1/2"			4"	2'1 1/2"	5'6"	1 1/2"
4B10	5	#4	8'0"	13		2'1"	6"	5'5"		2'0 1/2"				1'3"	5'7 1/2"	2 1/2"

ACI LAP TABLE - CLASS B 4000 PSI		
BAR SIZE	TOP	OTHERS
#4	2'-8"	2'-1"
#5	3'-4"	2'-7"
#6	4'-0"	3'-1"
#7	5'-10"	4'-6"



ELEVATION - A
 SDR: 5101A