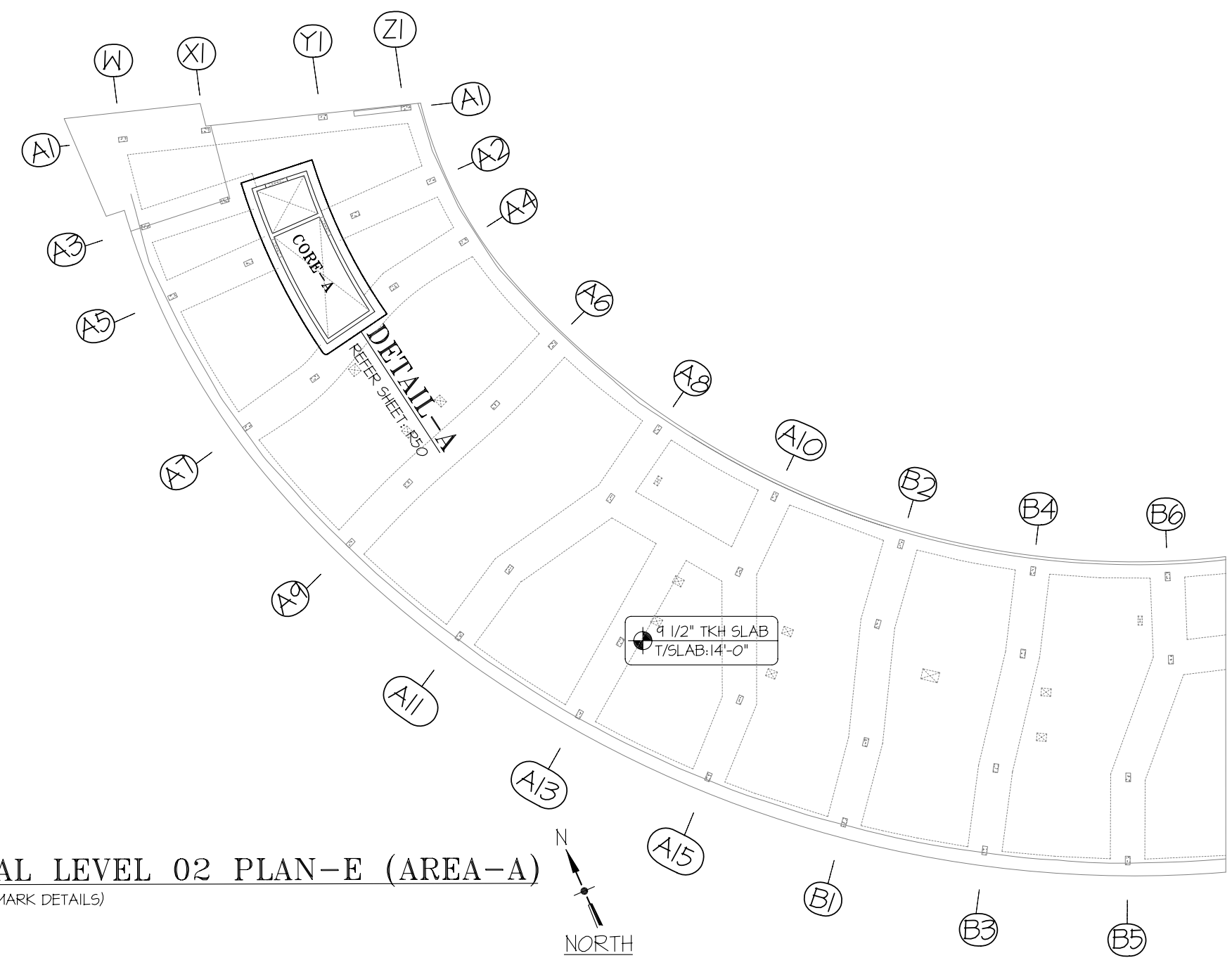


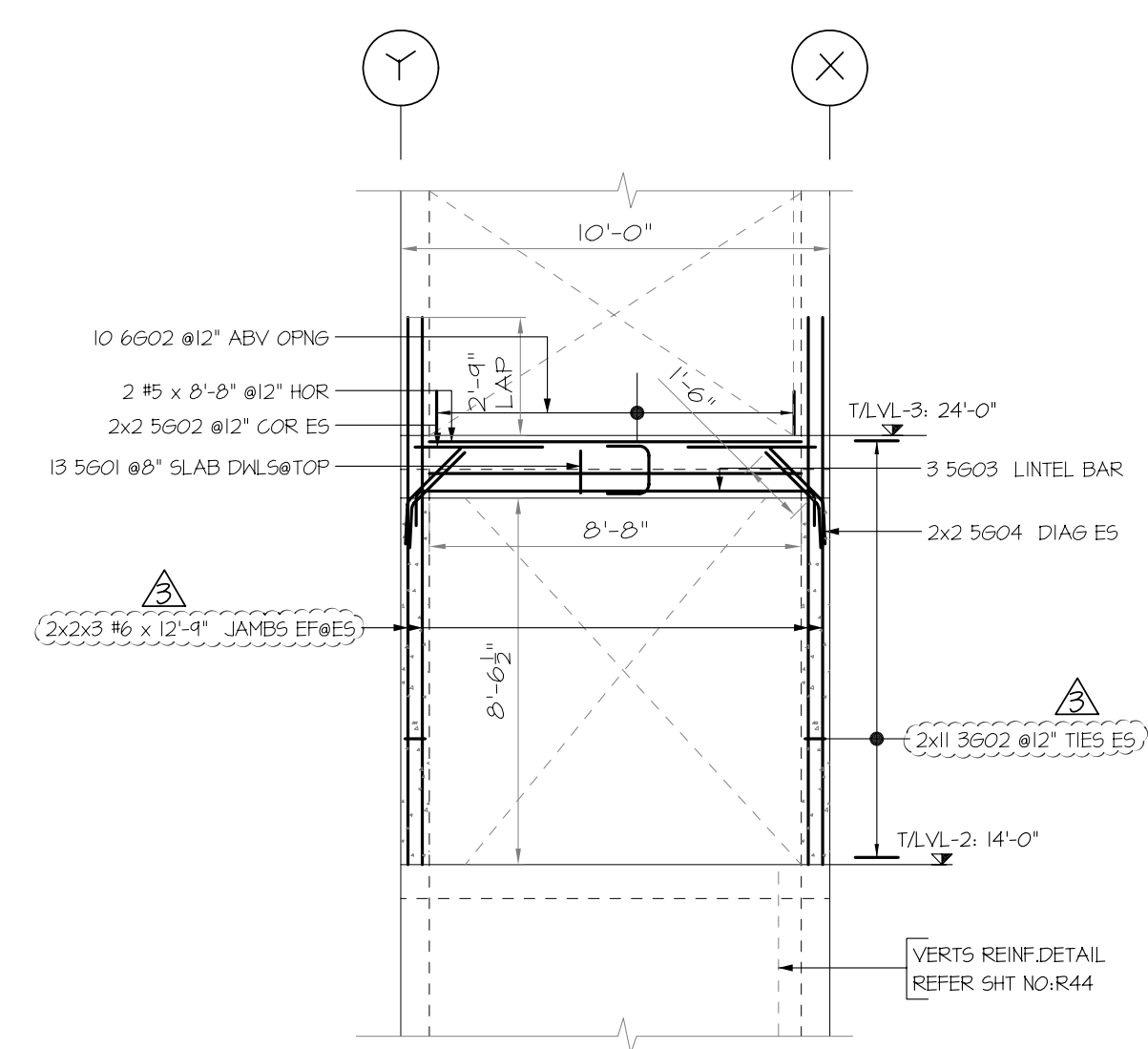
STRUCTURAL LEVEL 02 PLAN-E (AREA-A)

(SHOWING SHEAR WALLS MARK DETAILS)
SCR: S102E



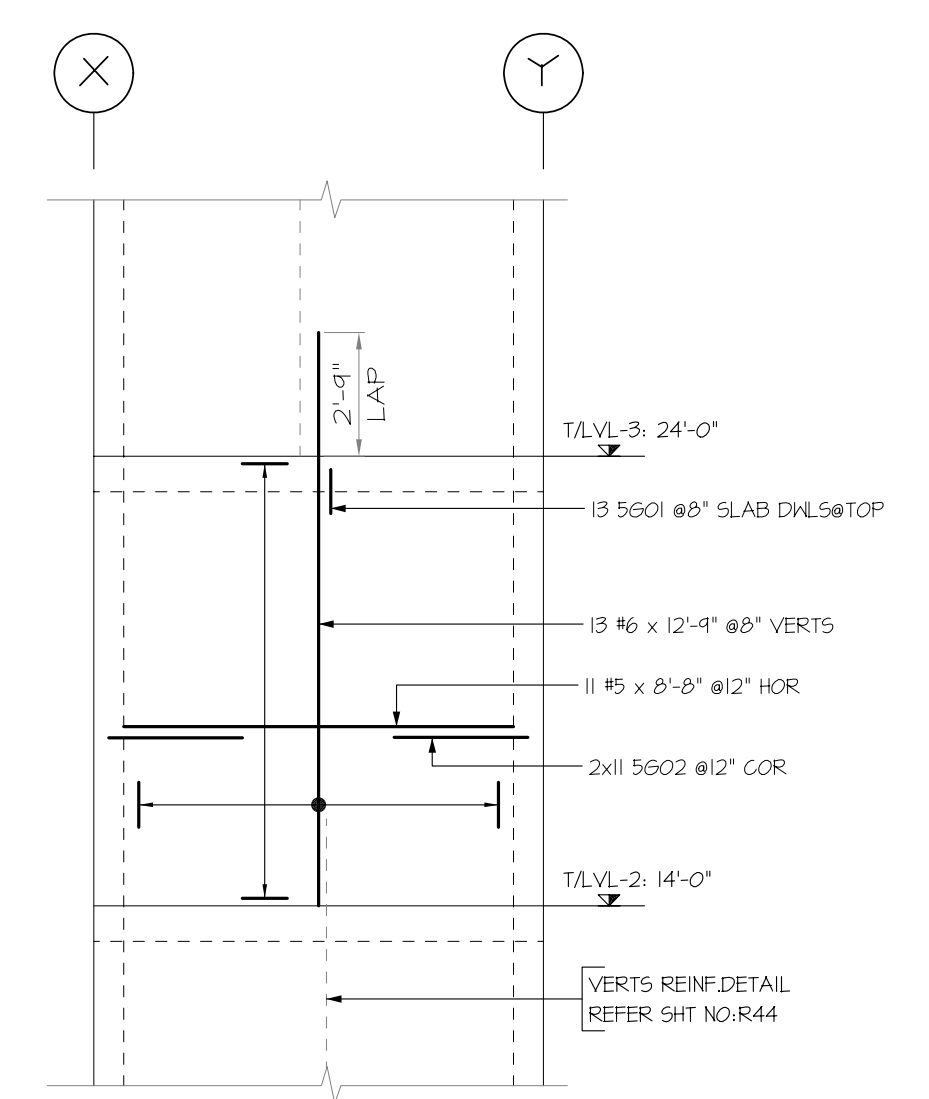
ELEVATION-A

(SHOWING 8" THK SHEAR WALLS VERTS & HOR REINF. DETAILS)
SCR: 62/5206 (STAIR-A)



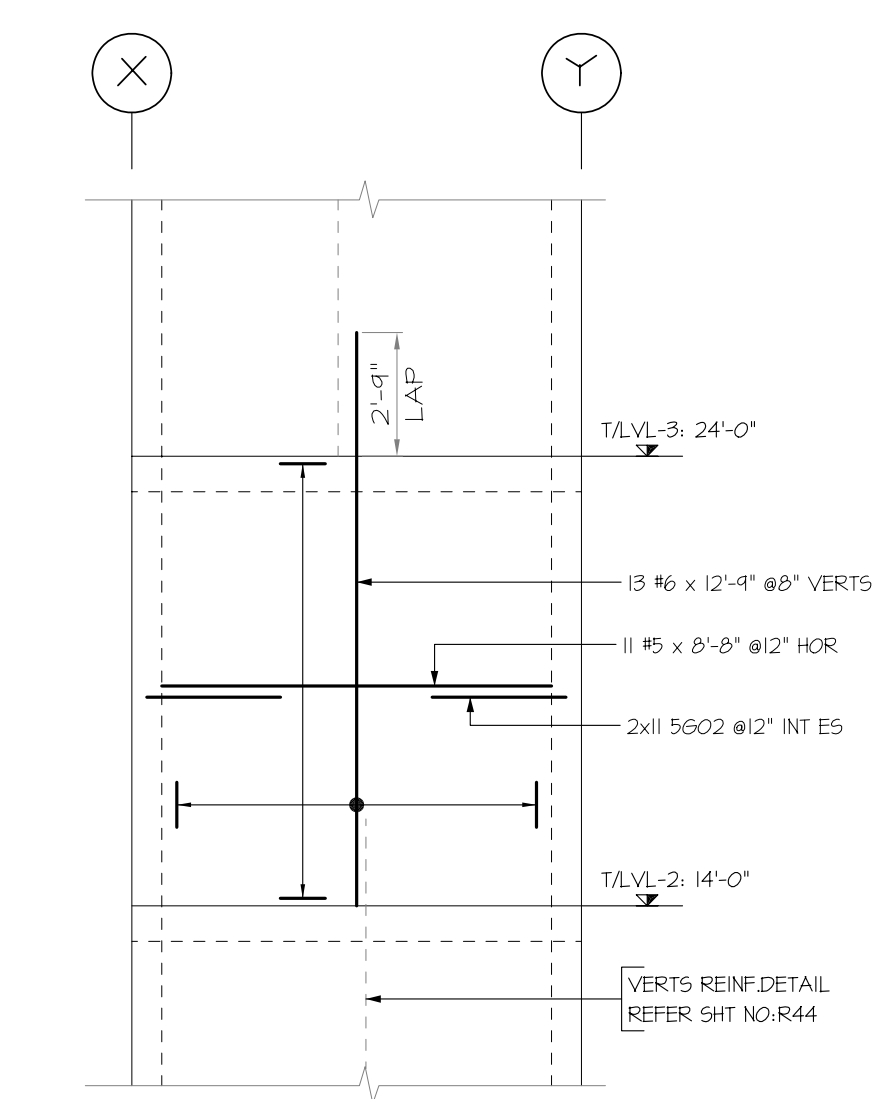
ELEVATION-B

(SHOWING 8" THK SHEAR WALLS VERTS & HOR REINF. DETAILS)
SCR: 62/5206 (STAIR-A)



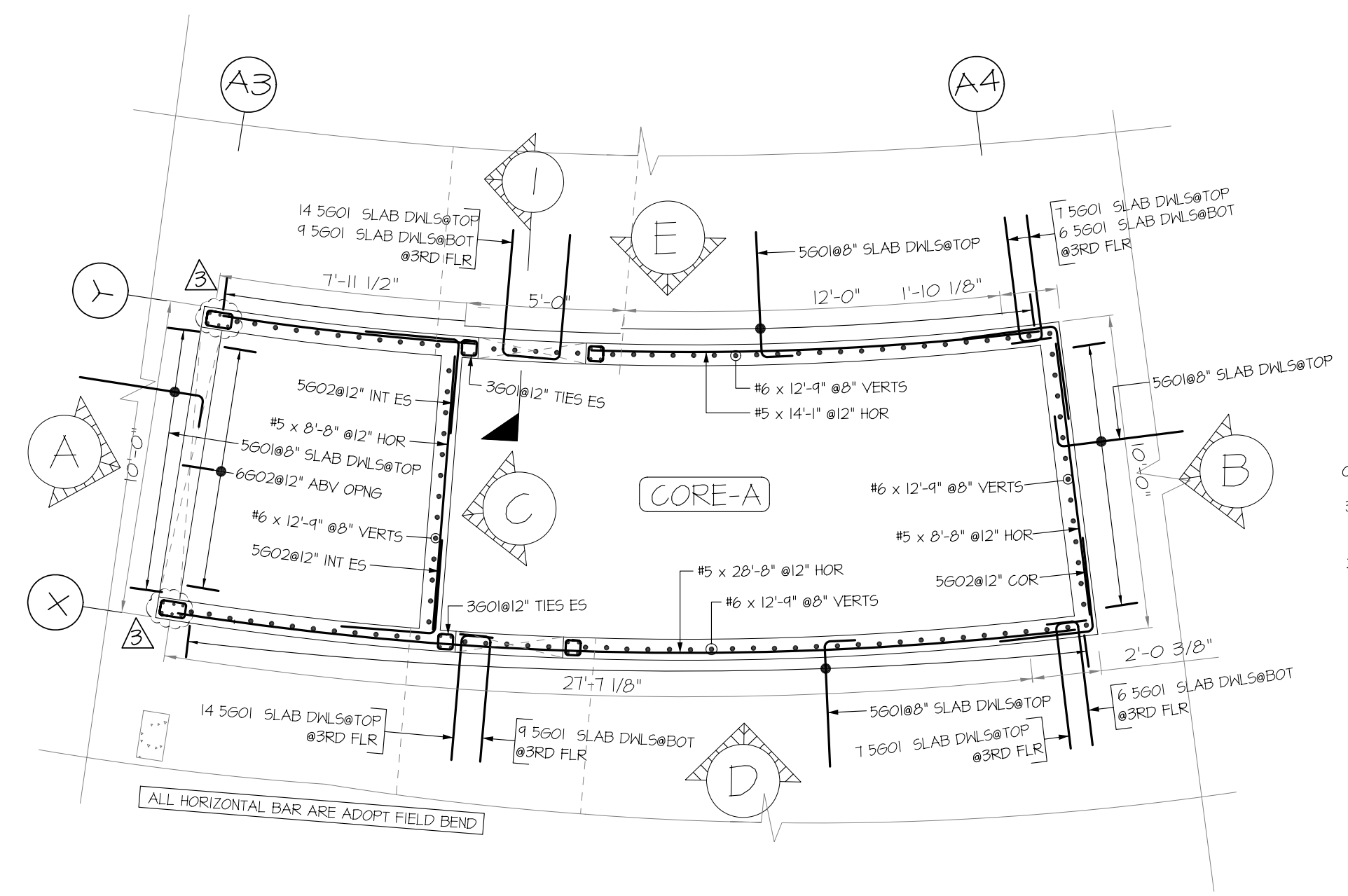
ELEVATION-C

(SHOWING 8" THK SHEAR WALLS VERTS & HOR REINF. DETAILS)
SCR: 61/5206 (STAIR-A)



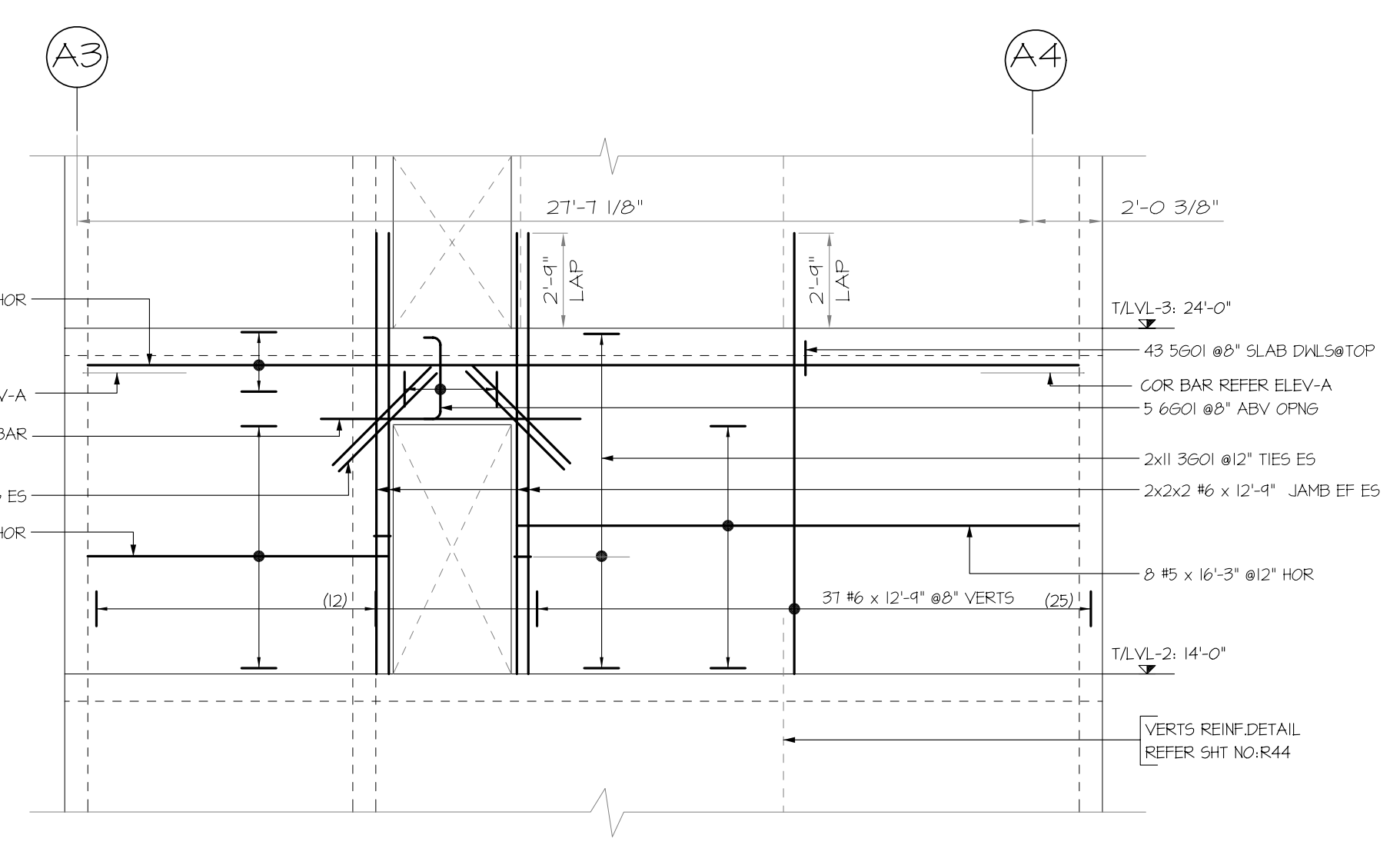
DETAIL-A STAIR-A (PLAN)

(SHOWING 8" THK SHEAR WALLS REINF. DETAILS)
SCR: 62/5206



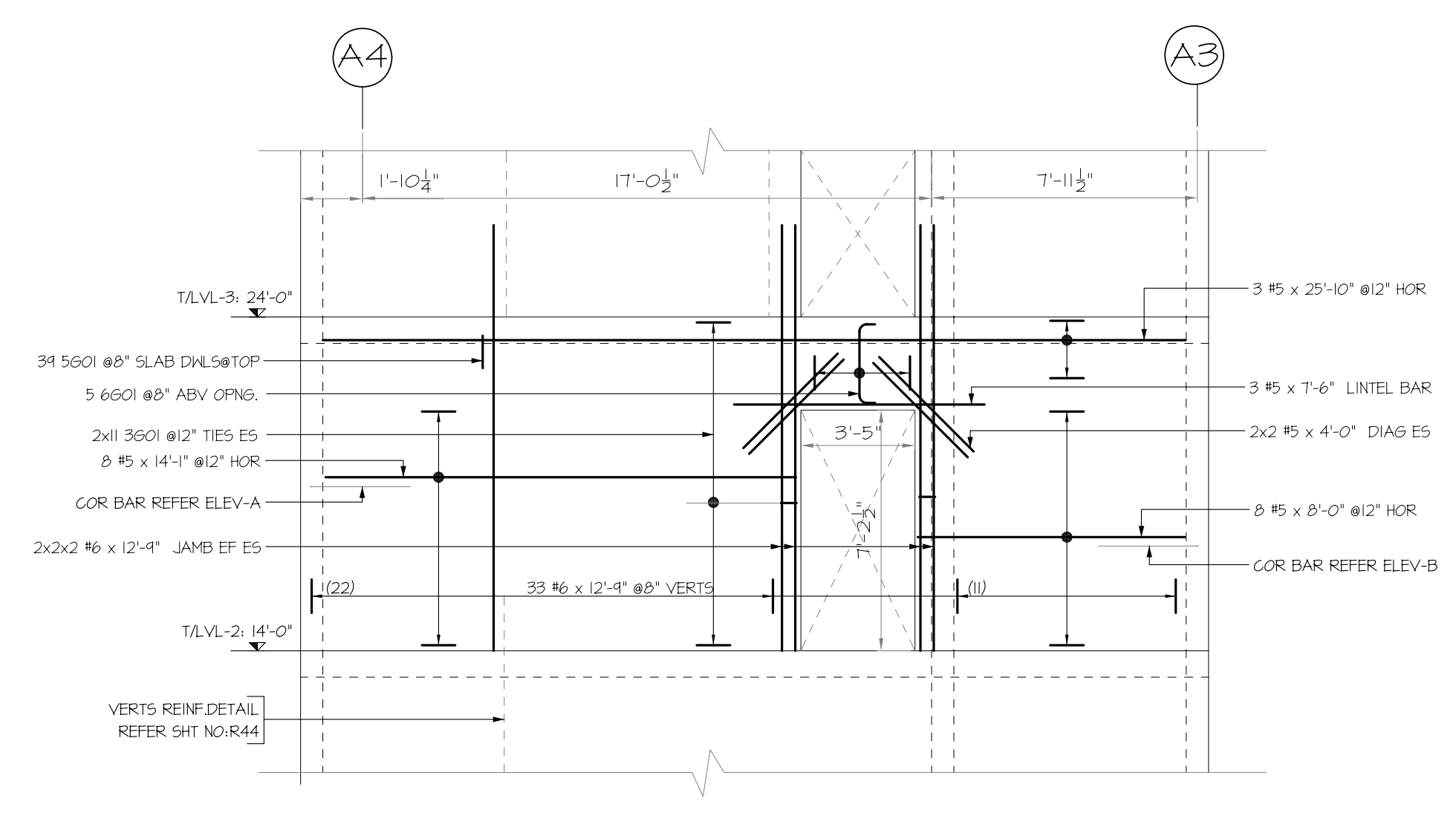
ELEVATION-D

(SHOWING 8" THK SHEAR WALLS VERTS & HOR REINF. DETAILS)
SCR: 62/5206 (STAIR-A)



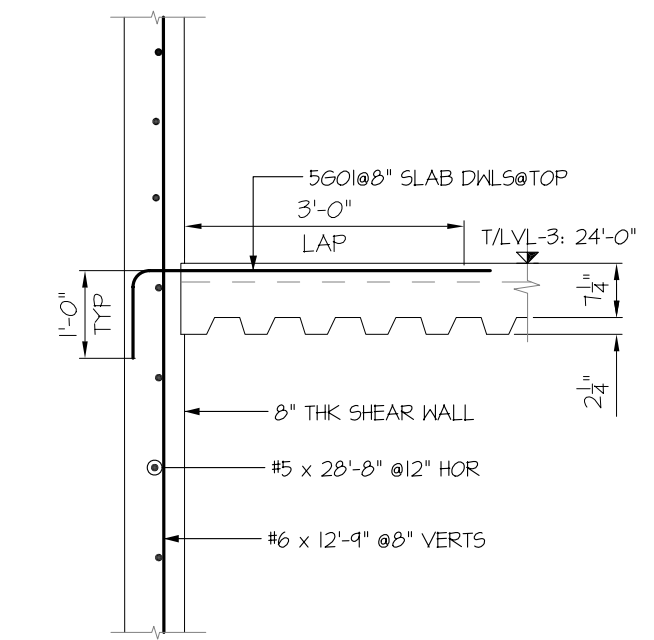
ELEVATION-E

(SHOWING 8" THK SHEAR WALLS VERTS & HOR REINF. DETAILS)
SCR: 62/5206 (STAIR-A)

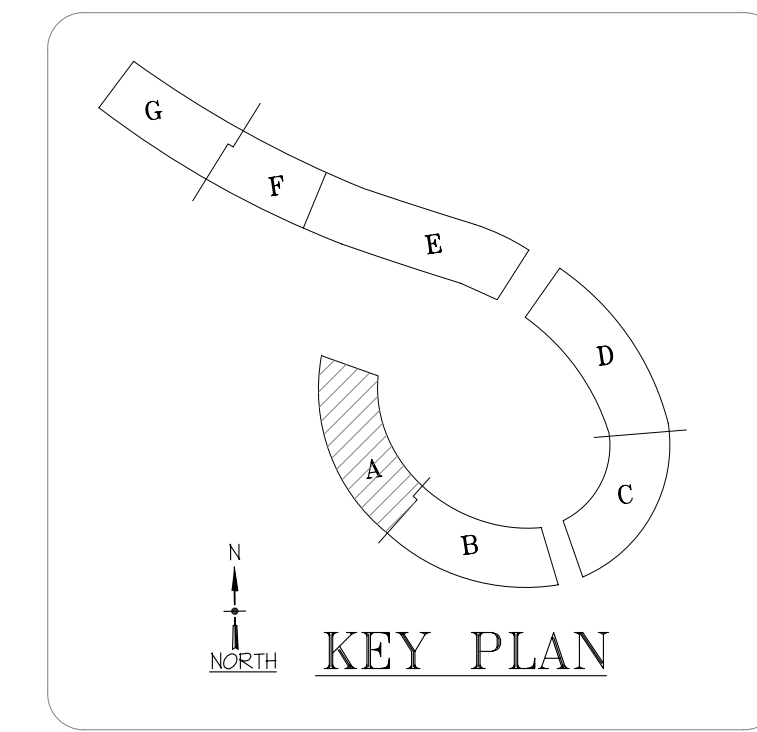
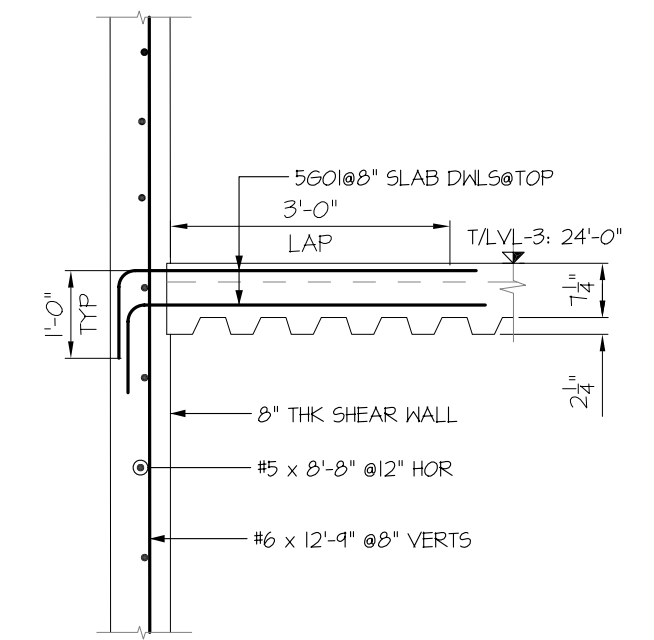


Release Code: AREA E_SHEAR WALLS(L2-L3)		BENDING DETAILS														
Bar Mark	Qty	Size	Total length	Type	A'	B'	C'	D'	E'	F'	G'	H'	I'	J'	K'	L'
3601	44	#3	28' 17 1/2"	4"	6"	6"	6"	6"	6"	6"	4"					
3602	22	#3	37' 4 1/2"	4"	6"	6"	10"	6"	10"	4"						
5601	180	#5	50' 17"		10"	4' 0"										
5602	48	#5	6' 0" 17"		3' 0"	3' 0"										
5603	3	#5	110' 2"	10"	9' 4"					10"						
5604	4	#5	2' 9" 3"		1' 9"	1' 0"					8 1/2"	9"	2' 6"			
6601	10	#6	3' 5" 17"		6"	2' 5"	6"									
6602	10	#6	3' 2" 2"	10"	12"					10"						

TYPICAL SECTION SHEAR WALL CONNECTION



SECTION 1



LAP TABLE - CLASS B 5000 PSI			
BAR SIZE	TOP	OTHERS	
#3	22"	17"	
#4	29"	22"	
#5	36"	28"	
#6	43"	33"	
#7	63"	49"	
#8	72"	55"	
#9	81"	63"	
#10	91"	70"	
#11	101"	78"	

ASTM A615 GRADE 60 UNCOATED
REINFORCING STEEL PLACING DRAWING ONLY
USE IN CONJUNCTION WITH CONTRACT DRAWINGS
AND SPECIFICATIONS. ELEVATIONS & DIMENSIONS
SHOWN ON THIS DRAWING ARE FOR DETAILING
PURPOSES ONLY AND ARE NOT TO BE USED FOR
CONSTRUCTION UNLESS VERIFIED BY THE
ENGINEER OR CONTRACTOR

REV#	DATE	DESCRIPTION	APPROVAL
3	08/25/2015	APPROVED/REV'S PER E-MAIL COMM.	
2	08/14/2015	APPROVED/REV'S PER PER SKS-150729	
1	08/07/2015	APPROVED	
0	07/08/2015	FOR APPROVAL	

CUSTOMER: ROWAN UNIVERSITY
LOCATION: 201 MULLICA HILL STREET GLASSBORO, NJ
ARCHITECT: ERDY MCHENRY ARCHITECTURE
ENGINEER: ENVIRONETICS ONE PENN CENTER

MATERIAL: SIMSONA CORPORATION
2215 Research Boulevard, Suite 500, Rockville, MD 20850
Phone: 301-408-8553 Fax: 301-260-0294

DATE: 07/08/2015
DRAWING NO.: SHEAR WALLS (PLAN-E)(AREA-A) (L2-L3)
DRAWING NUMBER: R50

USE IN CONJUNCTION WITH THE STRUCTURAL DRAWING: S102E
FOR SECTIONS SEE STRUCTURAL DRAWINGS: S206

SKA 20150715H DATED: 08-04-2015

THIS PLACING DRAWING WAS PREPARED USING STRUCTURAL DRAWING DATED: 06-11-2015