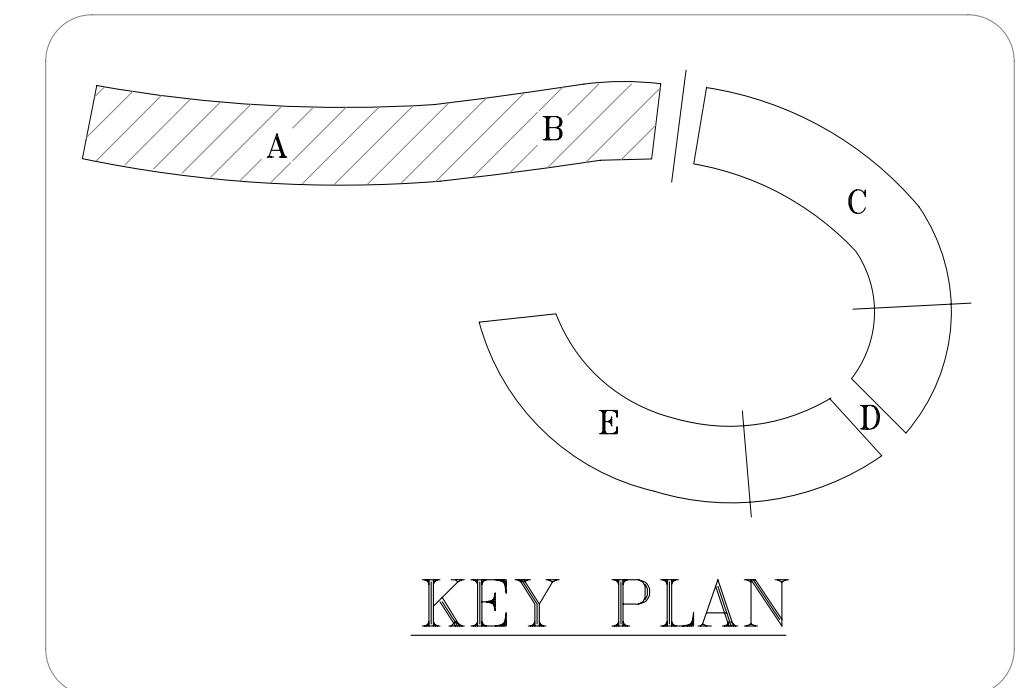
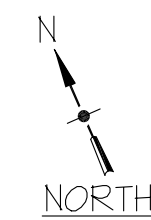
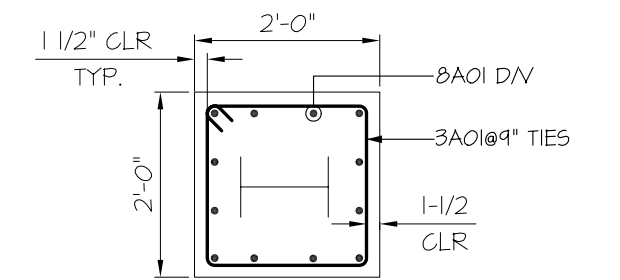
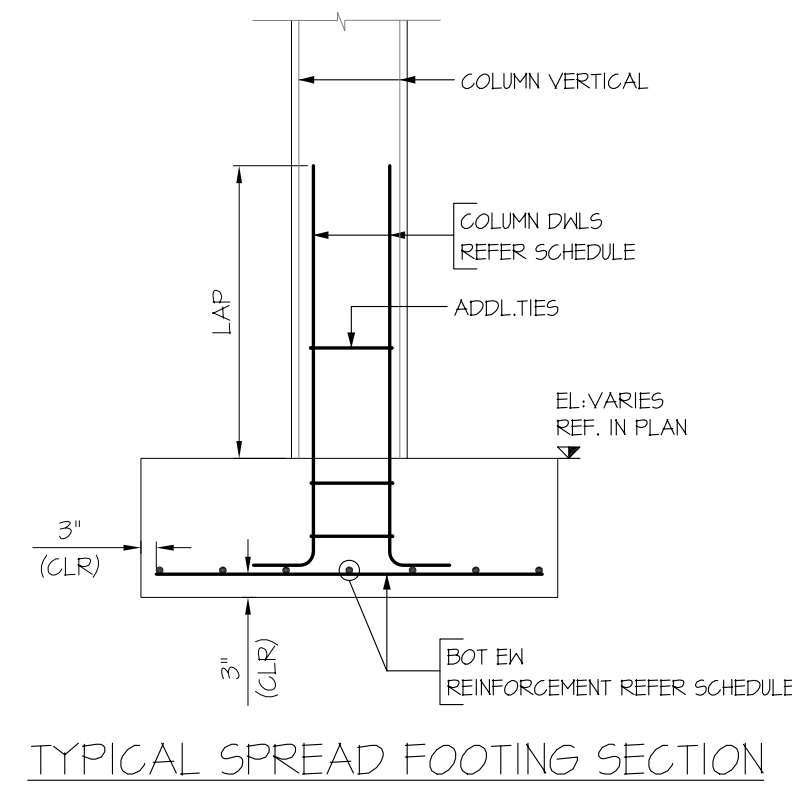


**FOUNDATION PLAN A&B**  
 (SHOWING SPREAD FTG, PIER & COLUMN MARK DETAILS)  
 SDR:S 101 A&B

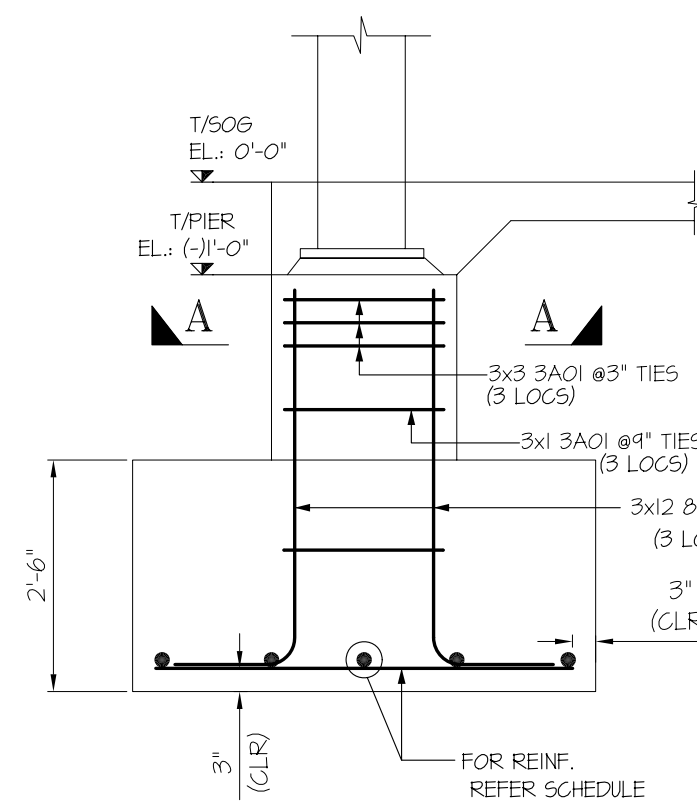


**KEY PLAN**

SPREAD FOOTING & COLUMN DOWELS SCHEDULE								
FOOTING MARK	SIZE-(LXBXD)	LOCS	REINFORCEMENT	COLUMN MARK	LOCS	COLUMN SIZE	DOWELS	ADDITIONAL TIES
F5.0	5'-0" x 5'-0" x 1'-1"	3	3x2x4 #5 x 4'-6" BOT EH	-	-	-	-	-
F5.0A	5'-0" x 5'-0" x 2'-6"	4	4x2x4 #5 x 4'-6" BOT EH	C5	1	(18"x14")	14 4A01 COL D&LS	3 4A02 #6' ADDL TIES
F6.0	6'-0" x 6'-0" x 1'-3"	2	2x2x5 #5 x 5'-6" BOT EH	-	-	-	-	-
F6.0A	6'-0" x 6'-0" x 2'-6"	1	2x5 #5 x 5'-6" BOT EH	-	-	-	-	-
F8.0A	8'-0" x 8'-0" x 2'-6"	1	2x4 #6 x 1'-6" BOT EH	C3	1	(18"x14")	14 4A01 COL D&LS	3 4A02 #6' ADDL TIES
F12.0	12'-0" x 12'-0" x 2'-6"	15	15x12x10 #7 x 11'-6" BOT EH	C3	15	(18"x14")	15x14 4A01 COL D&LS	15x3 4A02 #6' ADDL TIES
F16.0	16'-0" x 16'-0" x 2'-11"	11	11x2x14 #7 x 15'-6" BOT EH	C4	11	(18"x14")	11x12 6A01 COL D&LS	11x3 4A03 #6' ADDL TIES
F22.0x16.0	22'-0" x 16'-0" x 2'-6"	11	11x2x13 #8 x 21'-6" BOT LH 11x2x14 #7 x 21'-6" TOP LH 11x2x52 #7 x 15'-6" #5' BOT SH	C2	4	(18"x18")	4x12 5A01 COL D&LS	4x3 4A04 #6' ADDL TIES
				C4	7	(18"x14")	7x12 6A01 COL D&LS	7x3 4A03 #6' ADDL TIES
				C6	7	(18"x14")	7x12 5A01 COL D&LS	7x3 4A03 #6' ADDL TIES
				C11	4	(18"x18")	4x12 6A01 COL D&LS	4x3 4A04 #6' ADDL TIES



**SECTION A-A**



**PIER P1**  
 SIZE: (2'-0" x 2'-0")  
 (3 LOC'S)

Release Code: AREA A&B-PAD FOOTING&PIER		BENDING DETAILS														
Bar Mark	Qty	Size	Total length	Type	'A'	'B'	'C'	'D'	'E'	'F'	'G'	'H'	'J'	'K'	'O'	'R'
3A01	12	#3	78'	T1	4'	19'	19'	19'	19'		4'	2 1/2'				
4A01	238	#4	510'	T2	8'	4'4"										
4A02	51	#4	51'	T2	4 1/2'	13'	11'	13'	11'		4 1/2'					
4A03	75	#4	51'	T1	4 1/2'	13'	11'	13'	11'		4 1/2'					
4A04	24	#4	59'	T1	4 1/2'	13'	13'	13'	13'		4 1/2'	3'				
5A01	132	#5	58'	T2	10'	4'10"										
6A01	264	#6	64'	T2	10'	5'4"										
8A01	36	#8	55'	T2	1'4"	4'1"										

CLEAR COVER		
ELEMENT	TOP	BOT SIDES
PAD FTG	0'-2"	0'-3" 0'-3"
PIER	0'-2"	- 0'-2"
TIES	-	- 0'-1 1/2"

ASTM A615 GRADE 60 UNCOATED  
 REINFORCING STEEL PLACING DRAWING ONLY  
 USE IN CONJUNCTION WITH CONTRACT DRAWINGS  
 AND SPECIFICATIONS. ELEVATIONS & DIMENSIONS  
 SHOWN ON THIS DRAWING ARE FOR DETAILING  
 PURPOSES ONLY AND ARE NOT TO BE USED FOR  
 CONSTRUCTION UNLESS VERIFIED BY THE  
 ENGINEER OR CONTRACTOR

05/22/2015	FIELD USE		
05/12/2015	APPROVAL		
DATE	SENT FOR		
<b>SIMSONA CORPORATION</b>			
2275 Research Boulevard, Suite 500, Rockville, MD 20850 Phone: 301-408-8553 Fax: 301-260-0234			
STRUCTURE	ROWAN UNIVERSITY		
LOCATION	201 MULLICA HILL STREET GLASSBORO, NJ		
ARCHITECT	ERDY MCHENRY ARCHITECTURE		
ENGINEER	ENVIRONMENTAL ONE PENN CENTER		
CUSTOMER	---		
MADE BY	DATE 05/12/2015		
CONTRACT NUMBER			
05/22/2015	FOR FIELD USE		
05/12/2015	FOR APPROVAL		
REV#	DATE	DESCRIPTION	DRAWING NUMBER
0	05/12/2015	FOR APPROVAL	PAD FTG & PIER (AREA-A & B)
			R1

LAP TABLE - CLASS B 4000 PSI		
BAR SIZE	TOP	OTHERS
#3	2'-0"	1'-6"
#4	2'-8"	2'-1"
#5	3'-4"	2'-7"
#6	4'-0"	3'-1"
#7	5'-10"	4'-6"
#8	6'-8"	5'-2"
#9	7'-6"	5'-10"
#10	8'-6"	6'-6"
#11	9'-5"	7'-3"