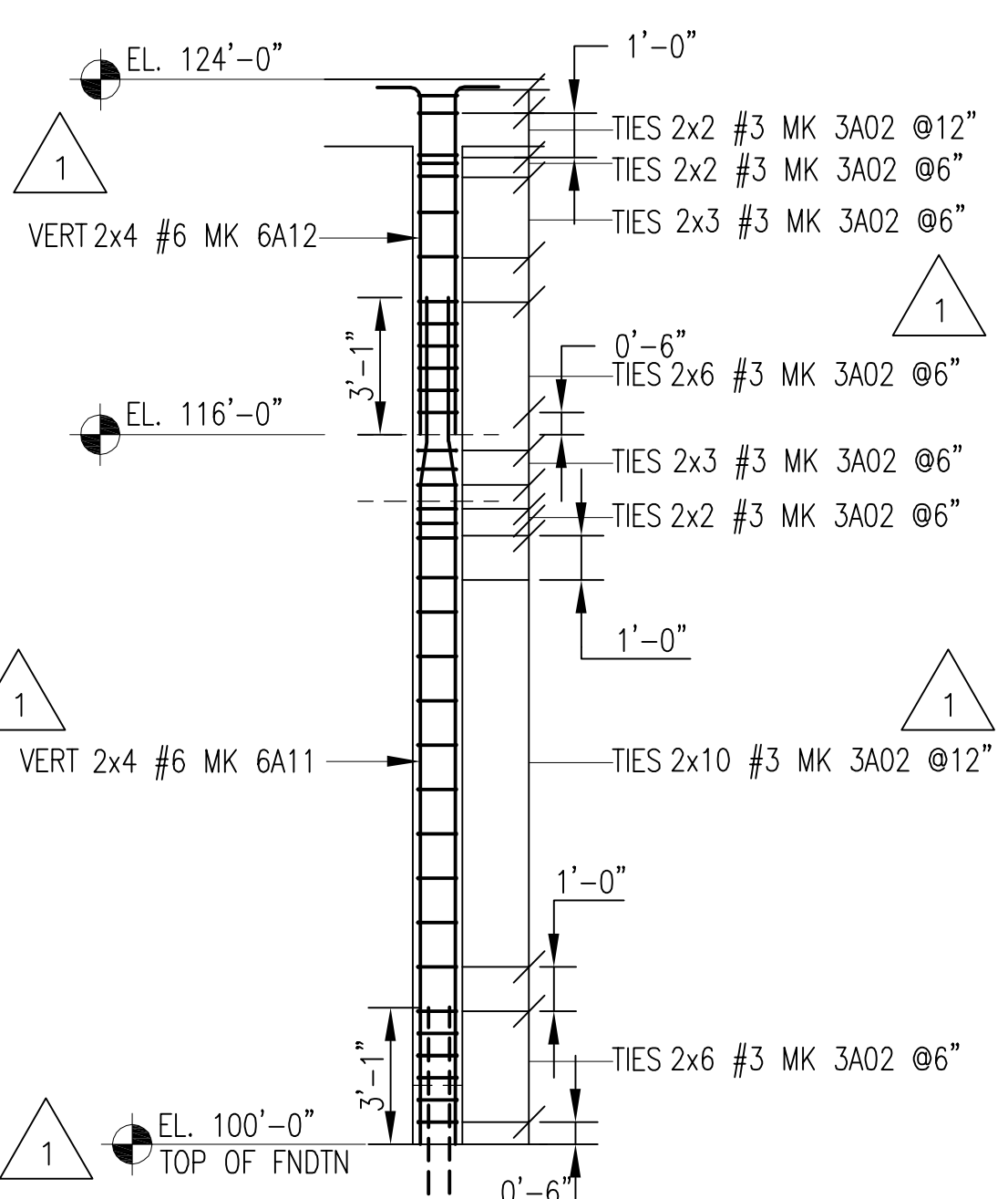
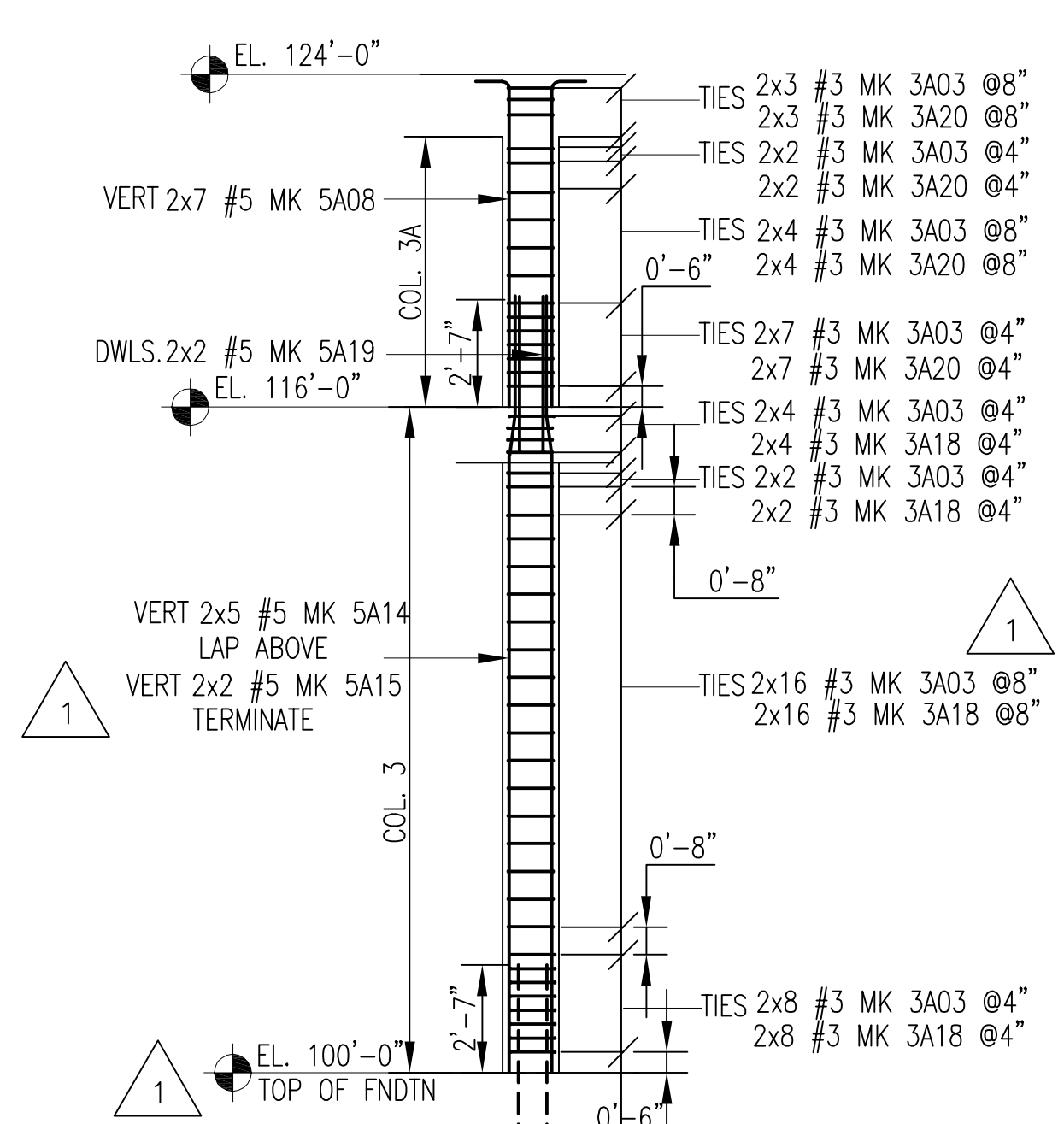


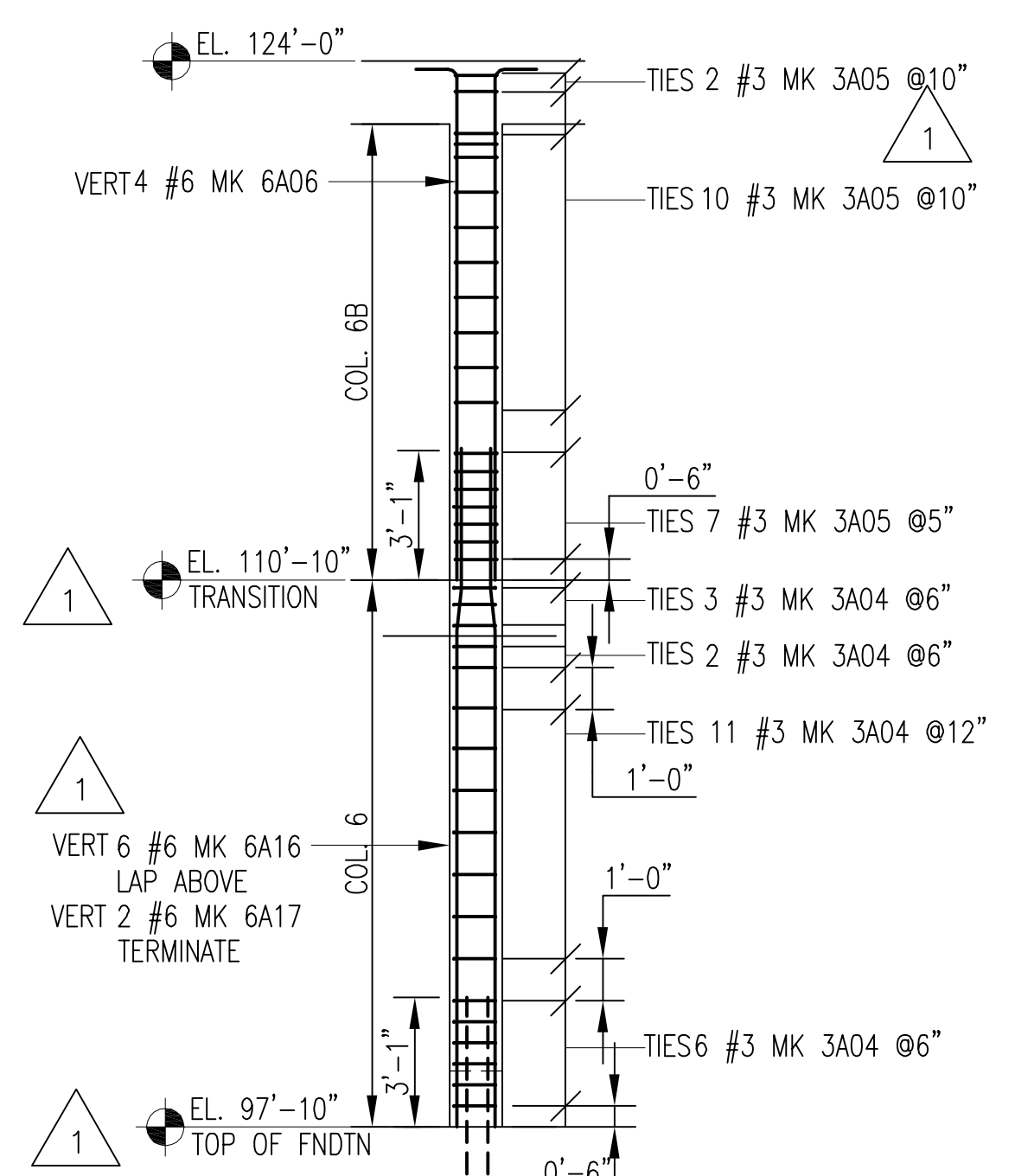
**C1**  
SCALE: 1/4"=1'-0"  
(2 NOS.)



**C2**  
SCALE: 1/4"=1'-0"  
(2 NOS.)

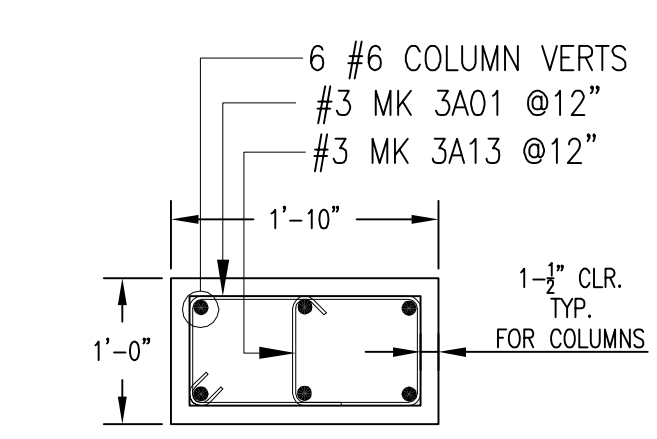


**C3**  
SCALE: 1/4"=1'-0"  
(2 NOS. REQ.)

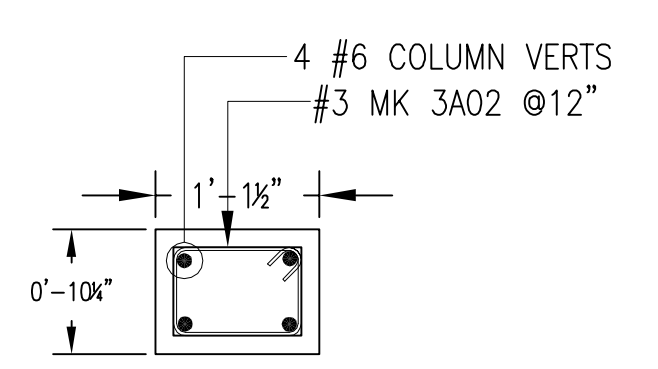


**C-6/C6A/6B**  
SCALE: 1/4"=1'-0"

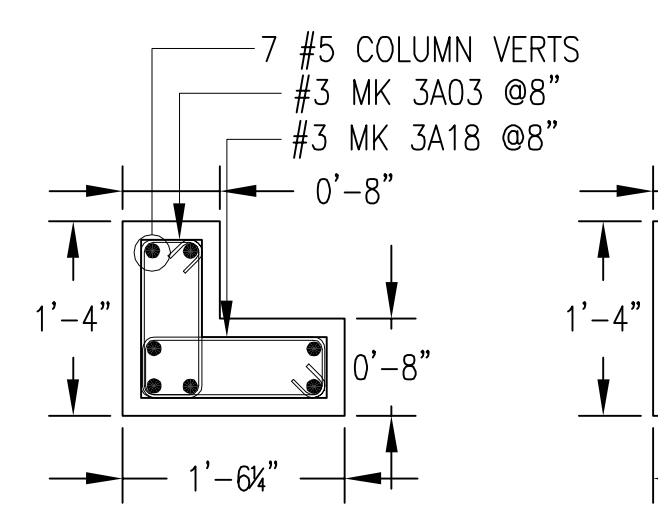
BENDING DETAILS																
Release Code: COLUMN REINF-RC2- TRANSEPT																
Bar Mark	Qty	Size	Total Length	Type	"A"	"B"	"C"	"D"	"E"	"F"	"G"	"H"	"J"	"K"	"O"	"R"
3A01	70	#3	5'-4"	T1	0'-4"	1'-7"	0'-9"	1'-7"	0'-9"		0'-4"					
3A02	68	#3	3'-7 1/2"	T1	0'-4"	0'-10 1/2"	0'-7 1/4"	0'-10 1/2"	0'-7 1/4"		0'-4"					
3A03	230	#3	3'-8"	T1	0'-4"	0'-5"	1'-1"	0'-5"	1'-1"		0'-4"					
3A04	22	#3	5'-6 1/2"	T1	0'-4"	1'-5 1/4"	1'-0"	1'-5 1/4"	1'-0"		0'-4"					
3A05	19	#3	3'-10 1/2"	T1	0'-4"	0'-7 1/4"	1'-0"	0'-7 1/4"	1'-0"		0'-4"					
6A06	4	#6	13'-2"	2	1'-0"	12'-2"										
4A07	18	#4	15'-4"	2	0'-8"	14'-8"										
5A08	14	#5	8'-8"	2	0'-10"	7'-10"										
6A09	12	#6	17'-11 3/4"	31	3'-3"	1'-0 3/4"	13'-8"				0'-2"		1'-0 1/2"	17'-11 1/2"		
6A10	12	#6	12'-8"	2	1'-0"	11'-8"										
6A11	8	#6	19'-1 1/4"	31	3'-3"	1'-0 1/4"	14'-10"				0'-2 1/2"		1'-0"	19'-1"		
6A12	8	#6	8'-10"	2	1'-0"	7'-10"										
3A13	70	#3	1'-5"	T9	0'-4"	0'-9"					0'-4"					
5A14	10	#5	18'-8 1/4"	31	2'-10"	1'-0 1/4"	14'-10"				0'-2 1/4"		1'-0"	18'-8"		
5A15	4	#5	16'-8"	2	0'-10"	15'-10"										
6A16	6	#6	16'-1 3/4"	31	3'-4"	1'-0 1/4"	11'-9 1/2"				0'-2"		1'-0"	16'-1 1/2"		
6A17	2	#6	13'-10"	2	1'-0"	12'-10"										
3A18	60	#3	4'-0"	T1	0'-4"	0'-5"	1'-3"	0'-5"	1'-3"		0'-4"					
5A19	4	#5	4'-7"	2	0'-10"	3'-9"										
3A20	32	#3	2'-8 1/2"	T1	0'-4"	0'-5"	0'-7 1/4"	0'-5"	0'-7 1/4"		0'-4"					
6A21	8	#6	20'-5 1/4"	31	3'-3"	1'-0 1/4"	16'-2"				0'-2 1/4"		1'-0"	20'-5"		
6A22	8	#6	6'-10"	2	1'-0"	5'-10"										
6A23	4	#6	8'-0 1/4"	2	1'-0"	7'-0 1/4"										
6A24	12	#6	4'-9 3/4"	14	0'-9 3/4"	3'-2 1/4"	0'-9 3/4"				2'-3"		2'-3 1/4"	3'-1"		
6A25	4	#6	21'-3 1/4"	31	3'-3"	1'-0 1/4"	17'-0"				0'-2"		1'-0"	21'-3"		



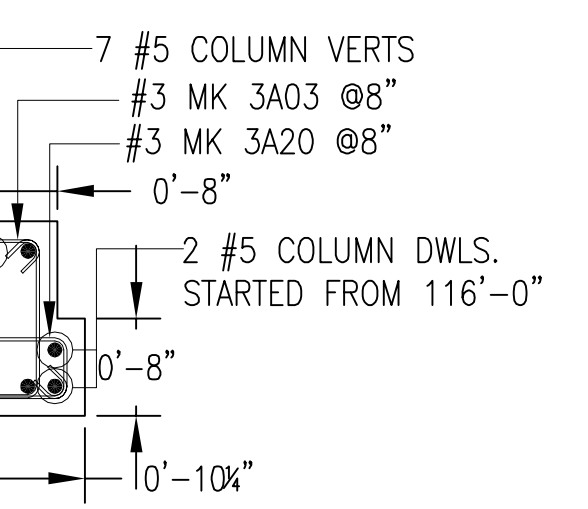
**COLUMN PLAN C-1**



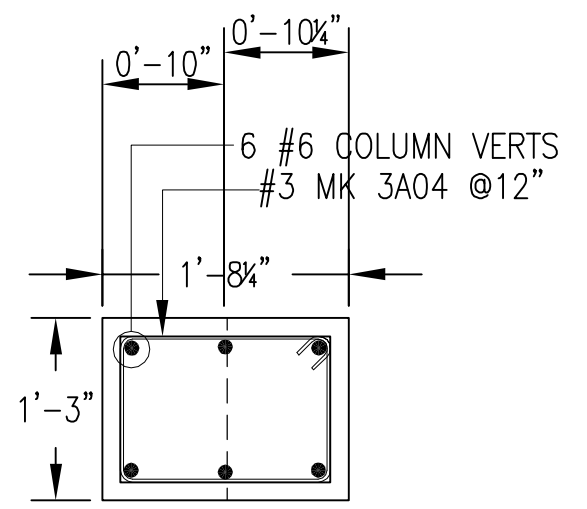
**COLUMN PLAN C-2**



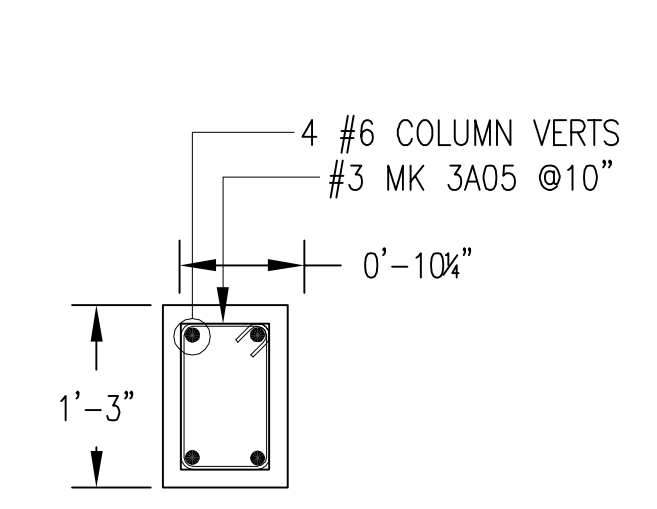
**COLUMN PLAN C-3**  
ABOVE LEVEL 98'-8" TO 116'-0"



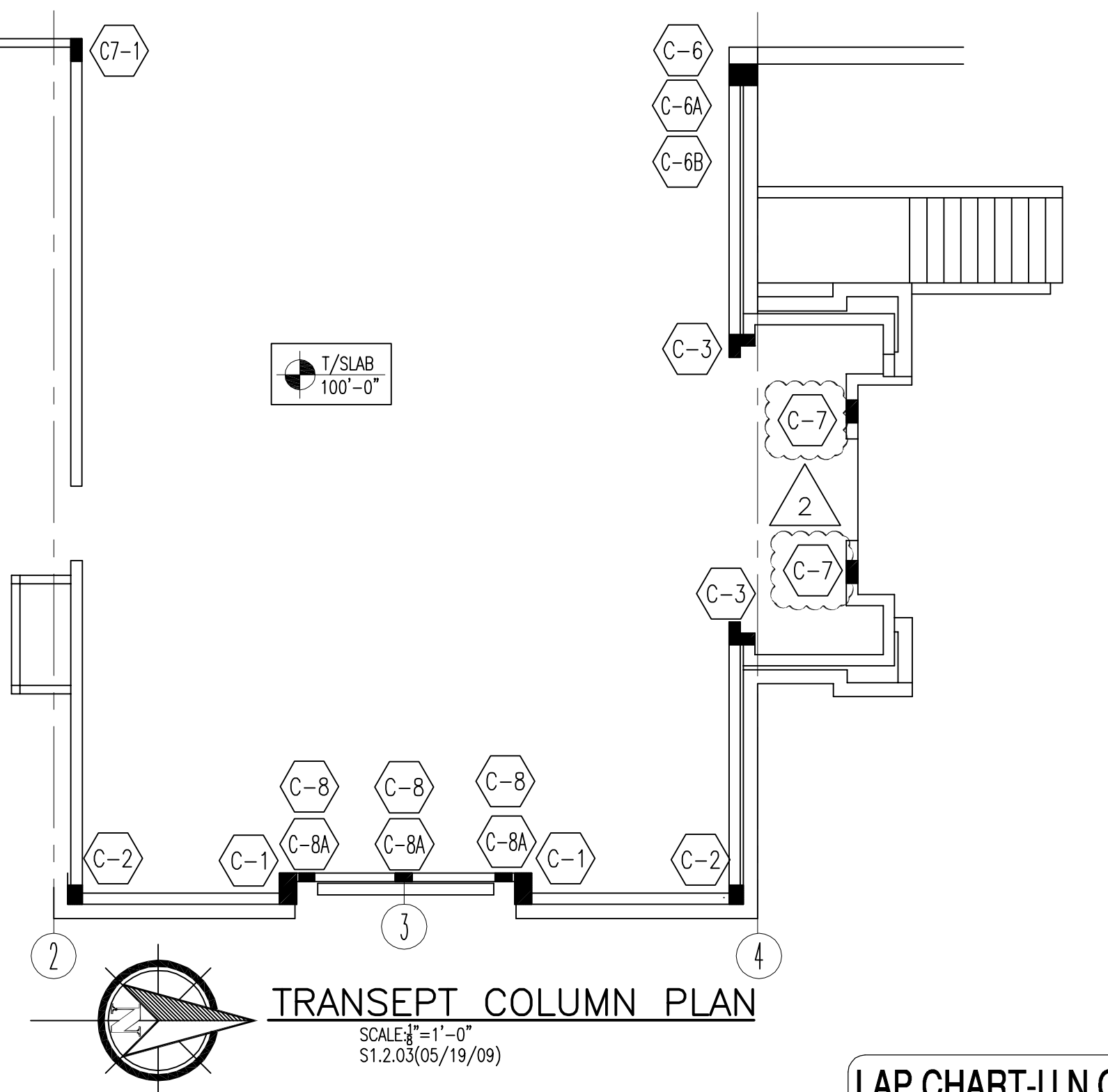
**COLUMN PLAN C-3A**  
ABOVE LEVEL 116'-0"-124'-0"



**COLUMN PLAN C-6**

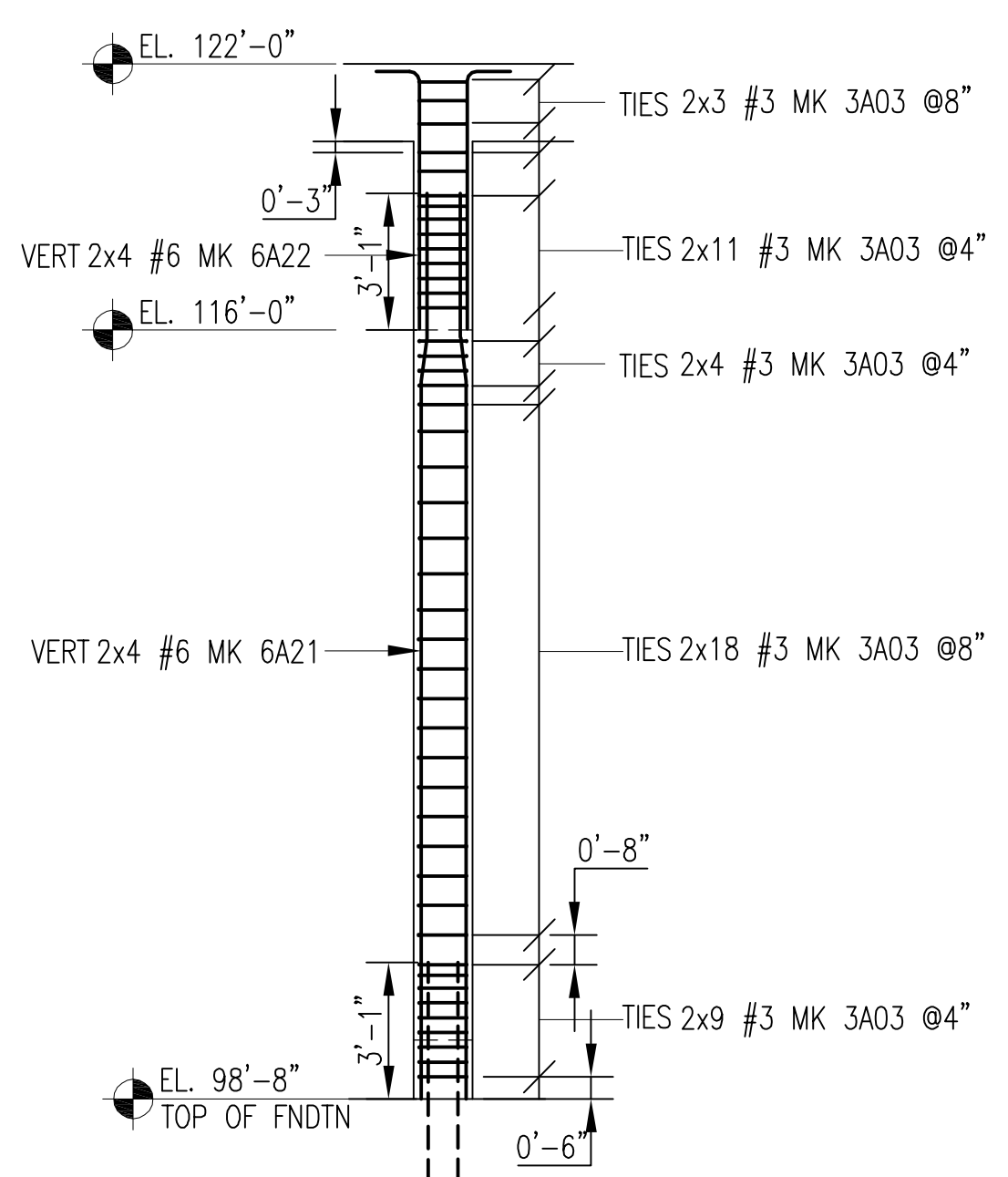


**COLUMN PLAN C-6B**

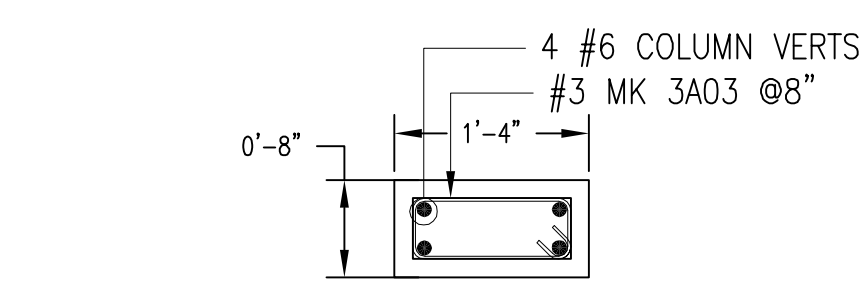


**TRANSEPT COLUMN PLAN**  
SCALE: 1/4"=1'-0"  
(S1.2.03(05/19/09))

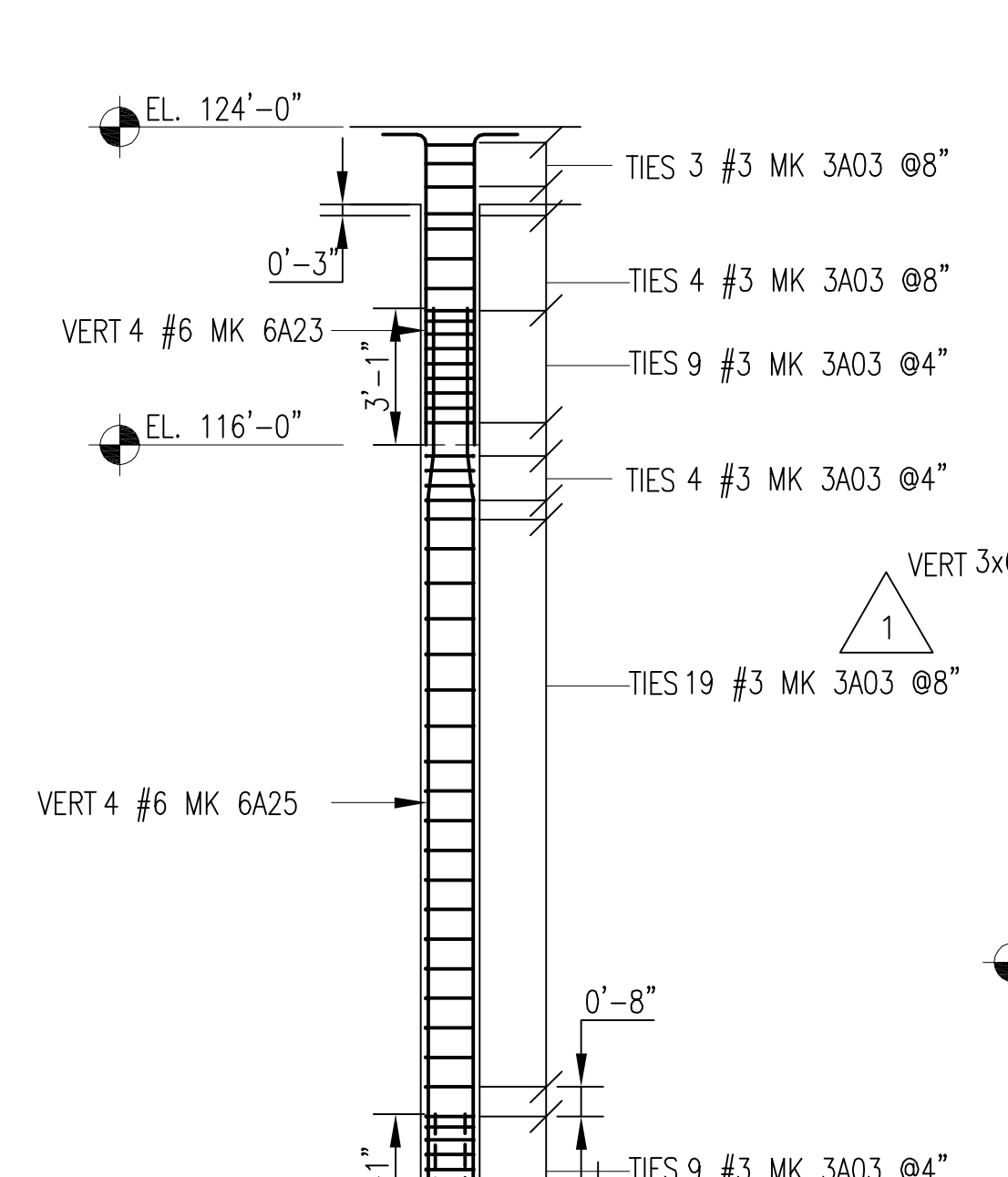
LAP CHART-U.N.O.	
#11	
#10	
#9	
#8	
#7	
#6	37"
#5	31"
#4	25"
#3	
SIZE	TOP BARS * OTHER BARS
* - Top bars are horiz. bars with more than 12" of concrete cast below the bars.	



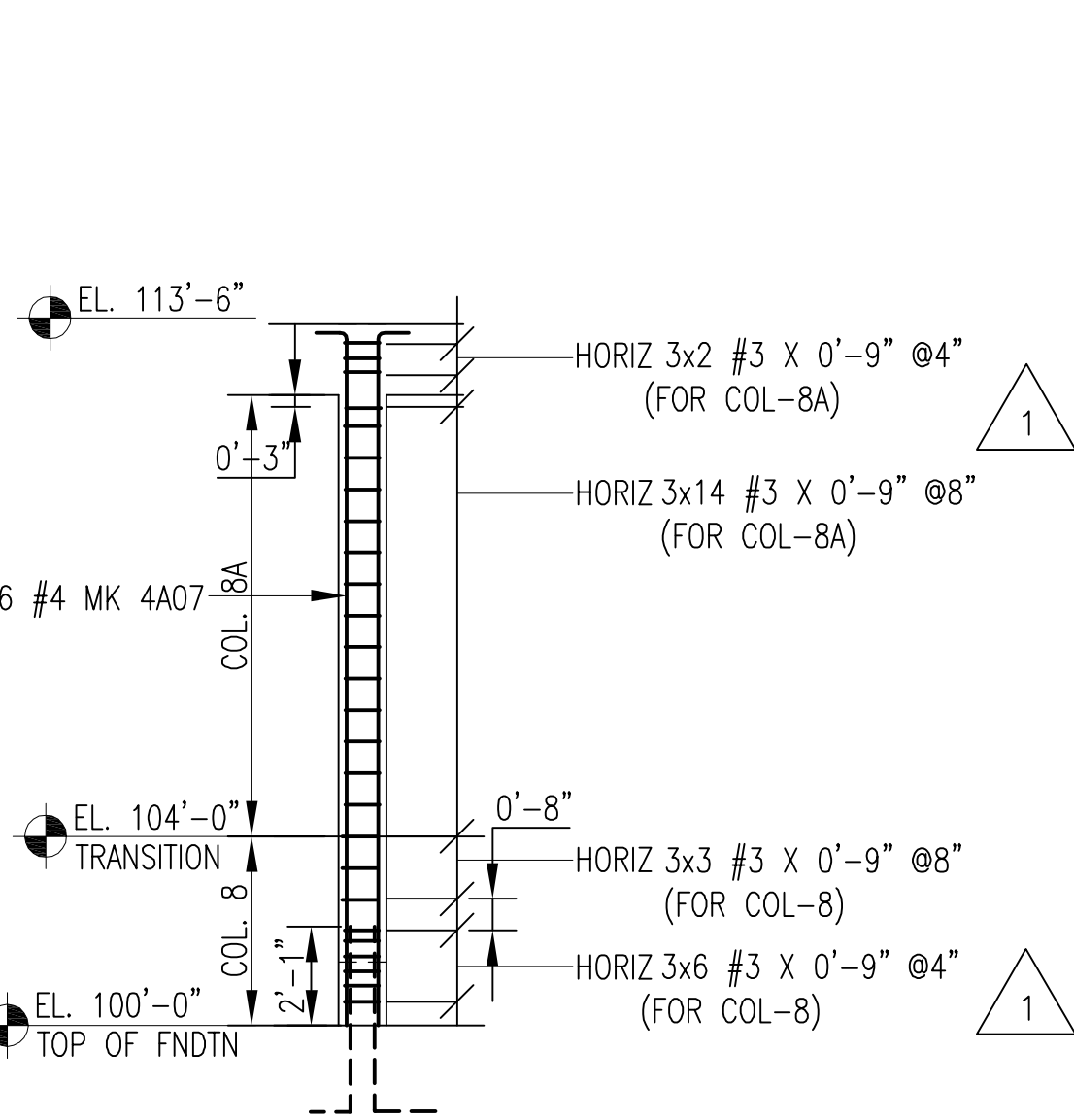
**C7**  
SCALE: 1/4"=1'-0"  
(2 NOS.)



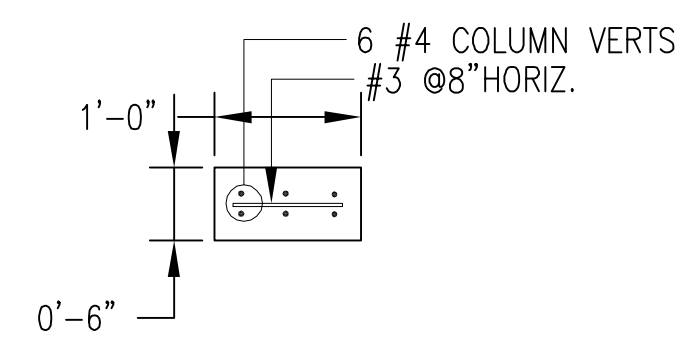
**COLUMN PLAN C-7**



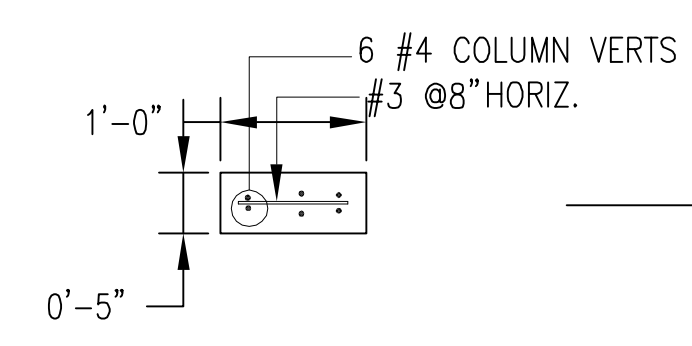
**C7-1**  
SCALE: 1/4"=1'-0"



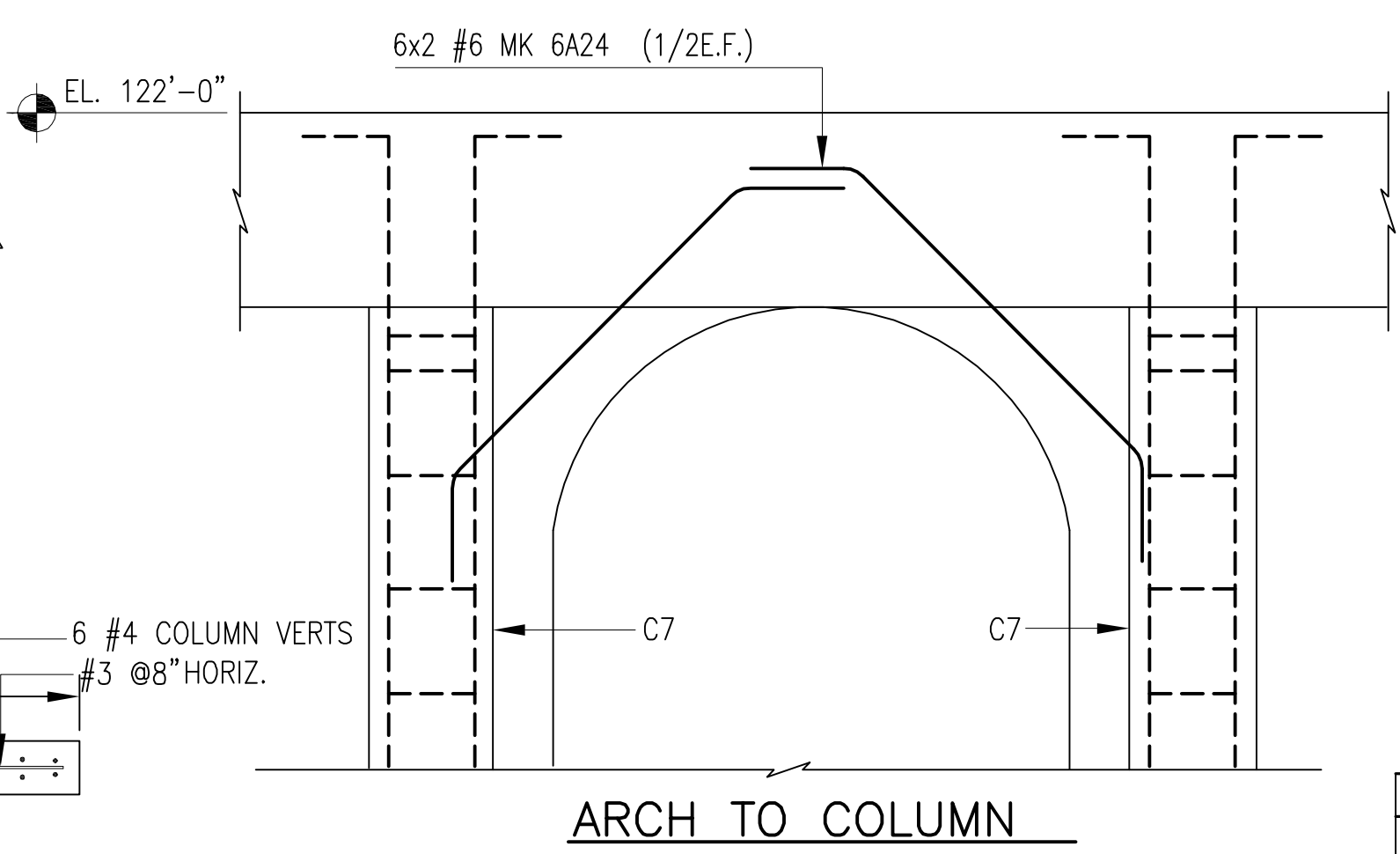
**C-8/8A**  
SCALE: 1/4"=1'-0"  
(3 NOS. REQ. EACH)



**COLUMN PLAN C-8**



**COLUMN PLAN C-8A**



**ARCH TO COLUMN**

**FIELD PRINT**

NOTES:  
1) DETAILED FROM STRUCTURAL DWGS DATED 05-19-09  
THIS DRAWING TO BE USED FOR REBAR PLACEMENT ONLY

TITLE		CUSTOMER	
<b>COLUMN PLAN, ELEVATIONS AND DETAILS</b>			
PROJECT		DATE	
DRAWN BY *PV		CHECKED BY *RP	DATE
1 OF 1		ASC JOB # 2112-2380	DWG # RC01
REV	REVISION DESCRIPTION	DATE	