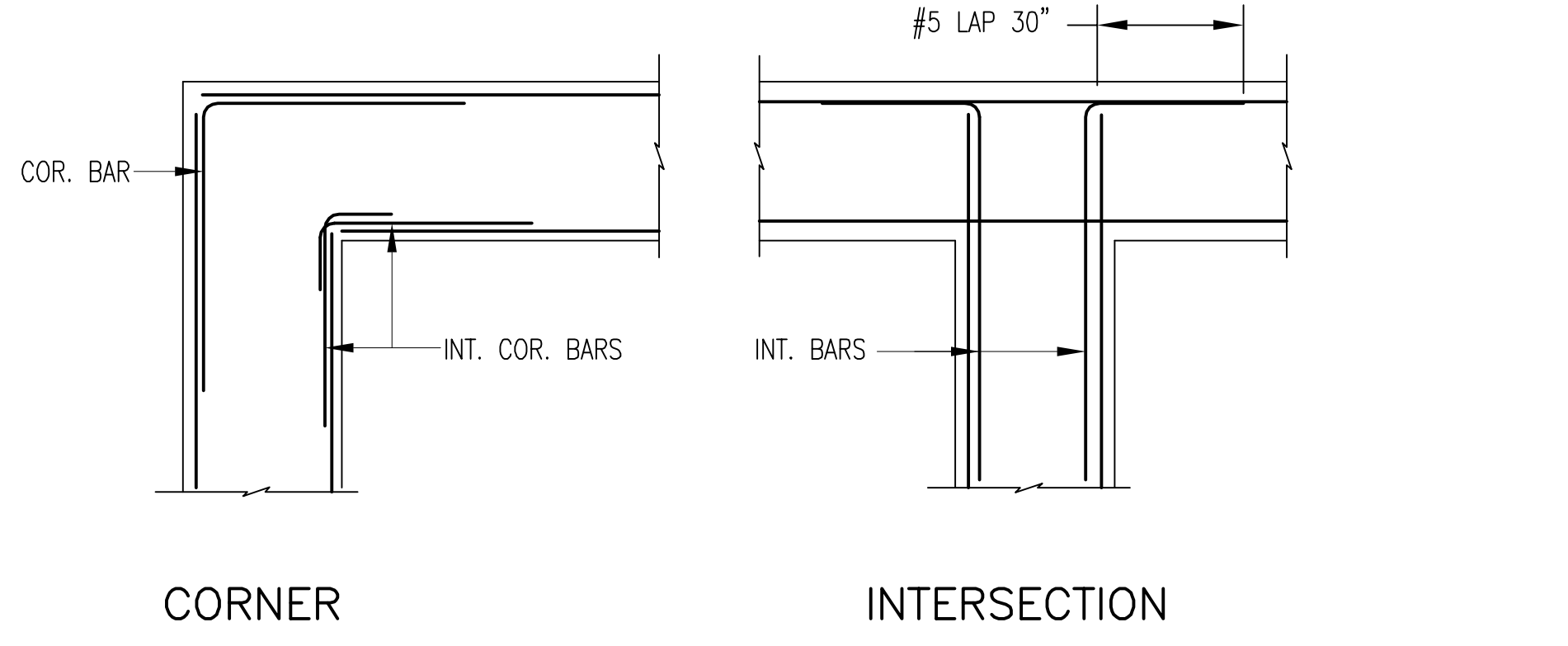
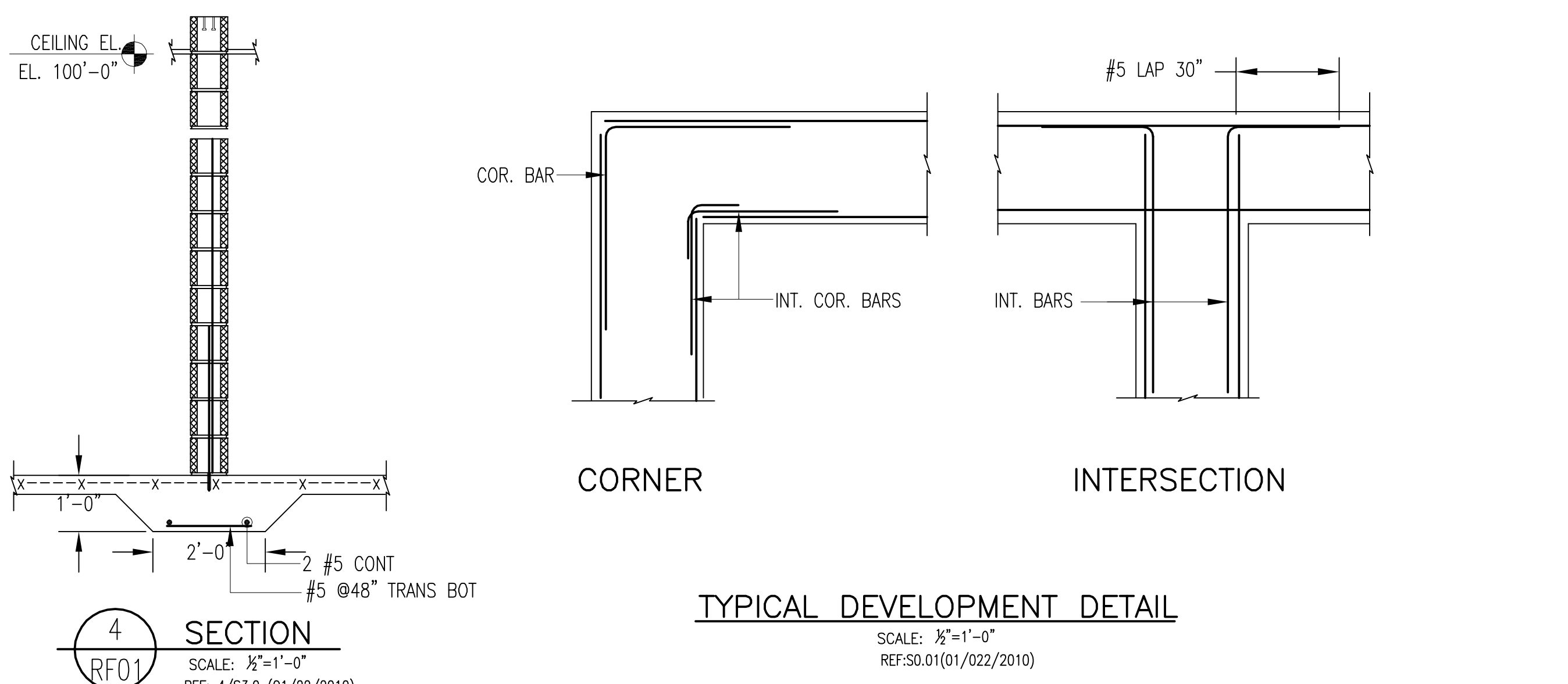
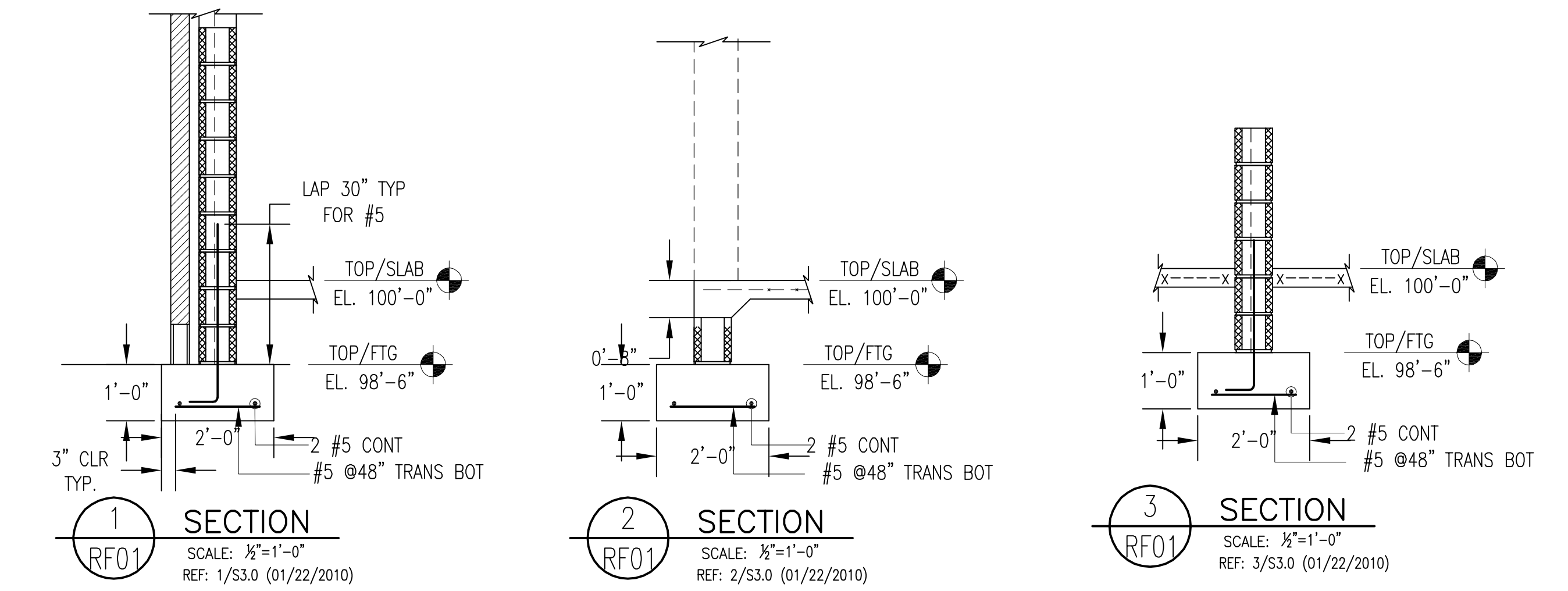


FTG. MARK	TOP/FTG.	NOS.	FTG. SIZE	FTG. REINFORCEMENT (BOTTOM)	REMARKS
F-40	98'-6"	2	4'-0" X 4'-0" X 1'-0"	2x10 #5 X 3'-6" (1/2E.W.) BOT.	2x4 #5 MK 5A02 COLUMN DWLS.
F-46	98'-6"	2	4'-6" X 4'-6" X 1'-0"	2x12 #5 X 4'-0" (1/2E.W.) BOT.	2x4 #5 MK 5A02 COLUMN DWLS.

**BENDING DETAILS**

Release Code: PARTIAL FOUNDATION REINF.-RF01

Bar Mark	Qty	Size	Total Length	Type	"A"	"B"	"C"	"D"	"E"	"F"	"G"	"H"	"J"	"K"	"O"	"R"
5A01	133	#5	5'-0"	17		2'-6"	2'-6"									
5A02	203	#5	4'-1"	2	0'-10"	3'-3"										
5A03	30	#5	3'-4"	2	0'-10"	2'-6"										



**TYPICAL DEVELOPMENT DETAIL**  
SCALE: 1/2"=1'-0"  
REF: S0.01(01/22/2010)

**LAP CHART-U.N.O.**

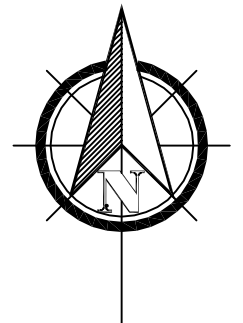
SIZE	TOP BARS	OTHER BARS
#11		
#10		
#9		
#8		
#7		
#6		
#5		
#4		
#3		

SEE PLAN AND DETAILS

\* -Top bars are horiz. bars with more than 12" of concrete cast below the bars. THIS DRAWING TO BE USED FOR REBAR PLACEMENT ONLY

**APPROVAL PRINT**

NOTES:  
INT. COR.BARS -INTERNAL CORNER BARS  
INT. BARS -INTERSECTION BARS  
COR. BARS -CORNER BARS



**PARTIAL FOUNDATION PLAN**  
SCALE: 3/8"=1'-0"  
REF: S1.0(01/22/2010)

TITLE	PARTIAL FOUNDATION PLAN		
PROJECT	REINFORCEMENT, SECTIONS AND DETAILS		
CUSTOMER	DRAWN BY	CHECKED BY	DATE
	*PV	*RP	2010/03/19
REV	REVISION DESCRIPTION	DATE	DWG #
0	FOR APPROVAL	03/19	1 OF 2
			ASC JOB # 2212-6978
			DWG # RF01