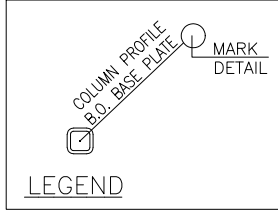


SHOOT HOUSE B- ANCHOR BOLT LAYOUT PLAN
(REF-S-105)



NOTE:-
1. TOP OF SLAB EL. 0'-0"

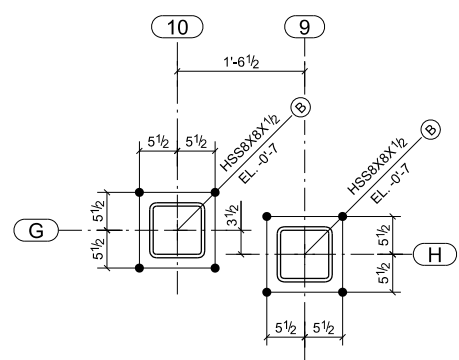
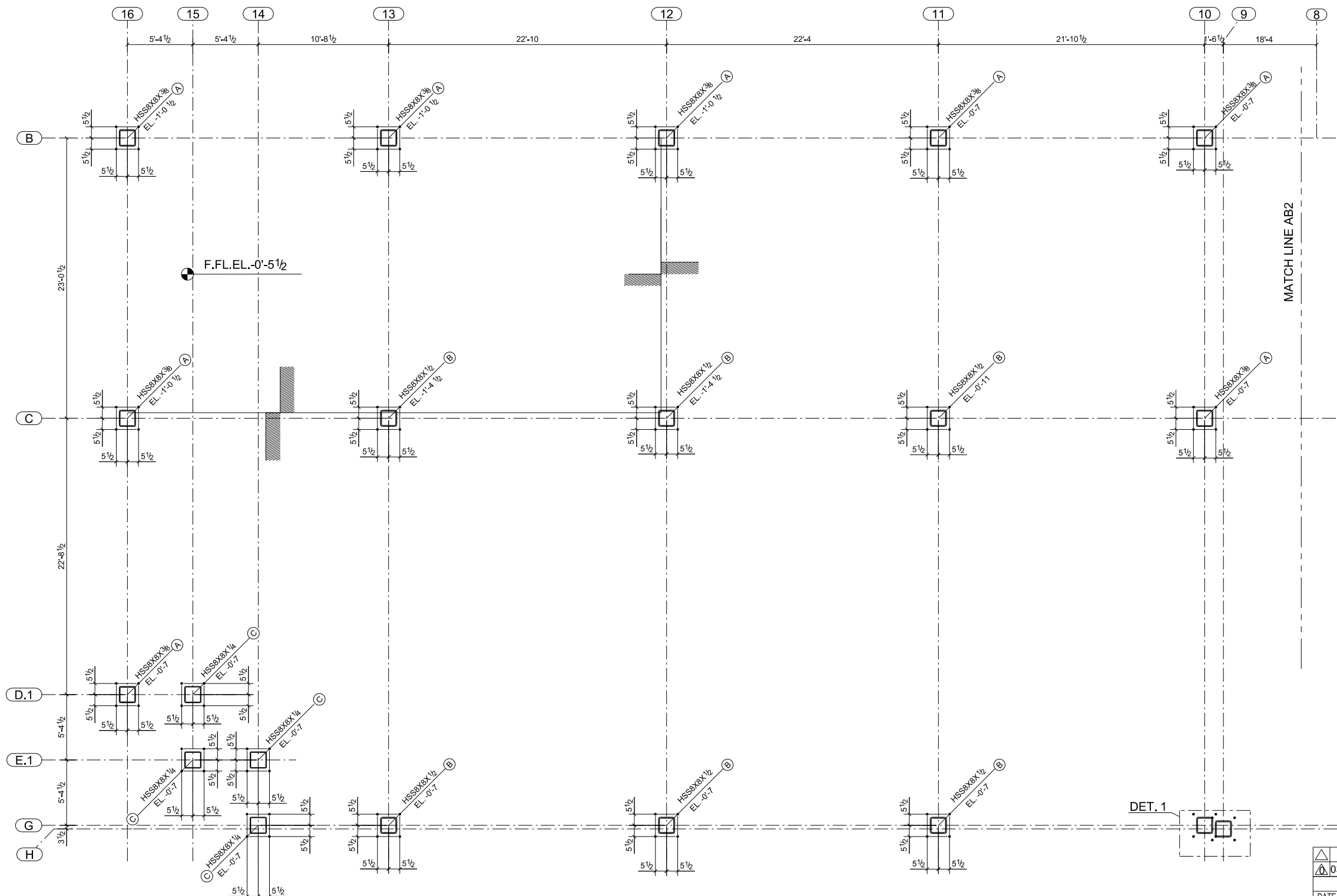
APPROVAL / REVIEW AUTHORITY:

APPROVAL BY THE OWNER OF SHOP DRAWINGS PREPARED BY THE FABRICATOR INDICATES THAT THE FABRICATOR HAS CORRECTLY INTERPRETED THE CONTRACT DRAWINGS. APPROVAL DOES NOT RELIEVE THE FABRICATOR OF THE RESPONSIBILITY FOR ACCURACY OF DETAIL DIMENSIONS, NOR THE GENERAL FIT-UP OF PARTS TO BE ASSEMBLED IN THE FIELD. UNLESS SPECIFICALLY STATED TO THE CONTRARY, ANY ADDITIONS, DELETIONS OR CHANGES INDICATED ON THE APPROVAL OF THE SHOP AND ERECTION DRAWINGS ARE AUTHORIZATIONS BY THE OWNER TO RELEASE THE ADDITIONS, DELETIONS OR CHANGES FOR CONSTRUCTION.

NO.	DATE	DESCRIPTION	DATE	NO.	TYPE	FOR
04/07/2015		FOR FIELD USE				
		REVISIONS				PRINT RECORD



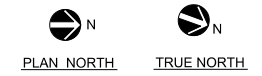
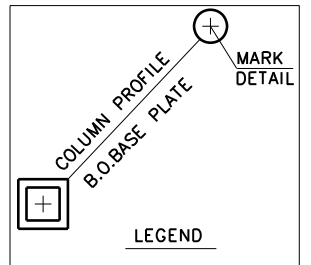
CUSTOMER:	
PROJECT:	P-3191 SOF SUSTAINMENT TRAINING COMPLEX
LOCATION:	
DESCRIPTION:	
DRAWN BY: VM	CHECKED BY: PKP
DATE: 04/07/2015	DATE: 04/07/2015
JOB NO. 0407	SHEET NO. 3AB1



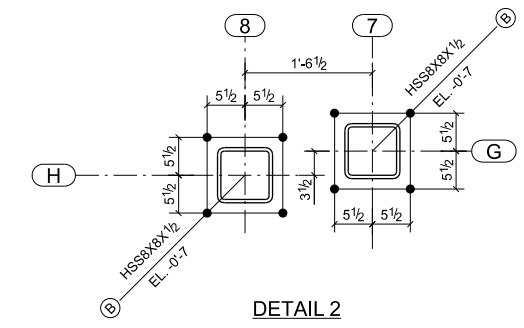
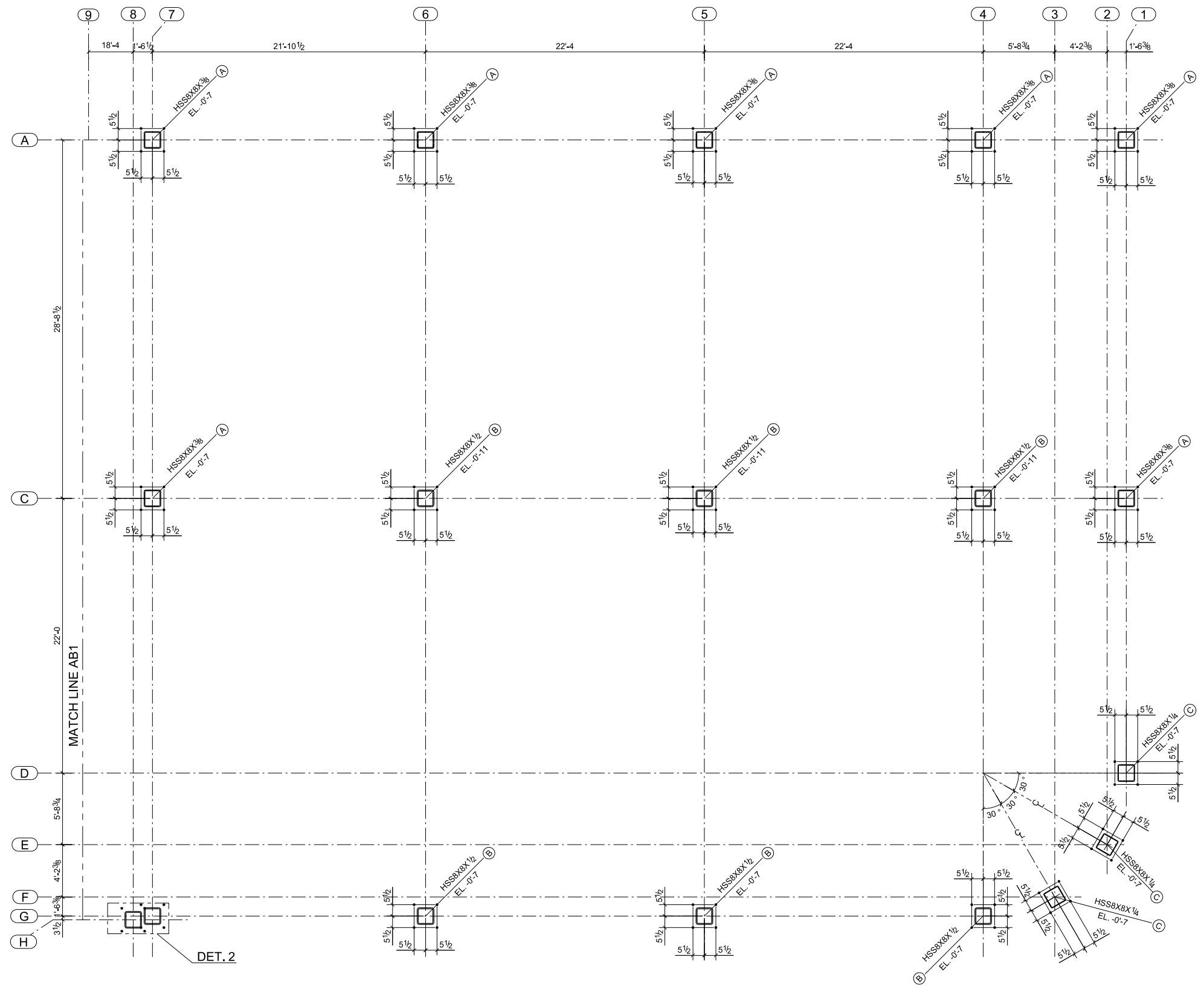
PARTIAL ANCHOR BOLT PLAN
SEQ-5
REF-S100

FINISHED FLOOR ELEVATION 47.24 = 0'-0" U.N.O

LEGEND:-
 - LEVEL DIFFERENCE

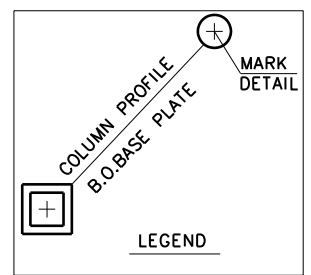


03/24/2015		FOR FIELD	
PRINT RECORD			
DATE	APP.	SHOP	FIELD
		DIST.	COORD.
			F.C.
			OFFICE
<small>ALL INFORMATION PROVIDED ON THESE DRAWINGS ARE PREPARED IN ACCORDANCE TO THE CONTRACT DOCUMENTS AND THE SPECIFICATIONS. ALL CLOUDED AREAS SHOWN ARE DUE TO LACK OF INFORMATION PROVIDED BY THE GENERAL CONTRACTOR, ARCHITECT & ENGINEER. BEFORE WE CAN START FABRICATING ANY MATERIAL, PLEASE RESPOND WITH THE INFORMATION BY MARKING UP OUR SHOP DRAWINGS.</small>			
MATERIAL:	HOLE SIZE:	BOLT GRADE:	MINIMUM WELD:
A36 UNO	13/16" Ø UNO	A325-N UNO	3/16"
			ELECTRODE:
			E-70XX
		Simsona Corp. 2275 Research Boulevard, Suite 500, Rockville, MD 20850 Office: 301-774-0890 Email: raj@simsona.com	
		JOB NAME & LOCATION: TONY'S CORNER, LLC.	
ARCH.			
ENGR.			
CONTR.			
REF:	JOB: 15-103		
DRAWN BY: VV	03/24/2015	CHECKED BY: MSB	03/24/2015
SHEET TITLE			SHEET: AB1
PARTIAL ANCHOR BOLT PLAN			
MODIFIED DATE: 03/24/2015		LAST PLOT DATE: 03/24/2015	
CAD FILENAME: AB1			

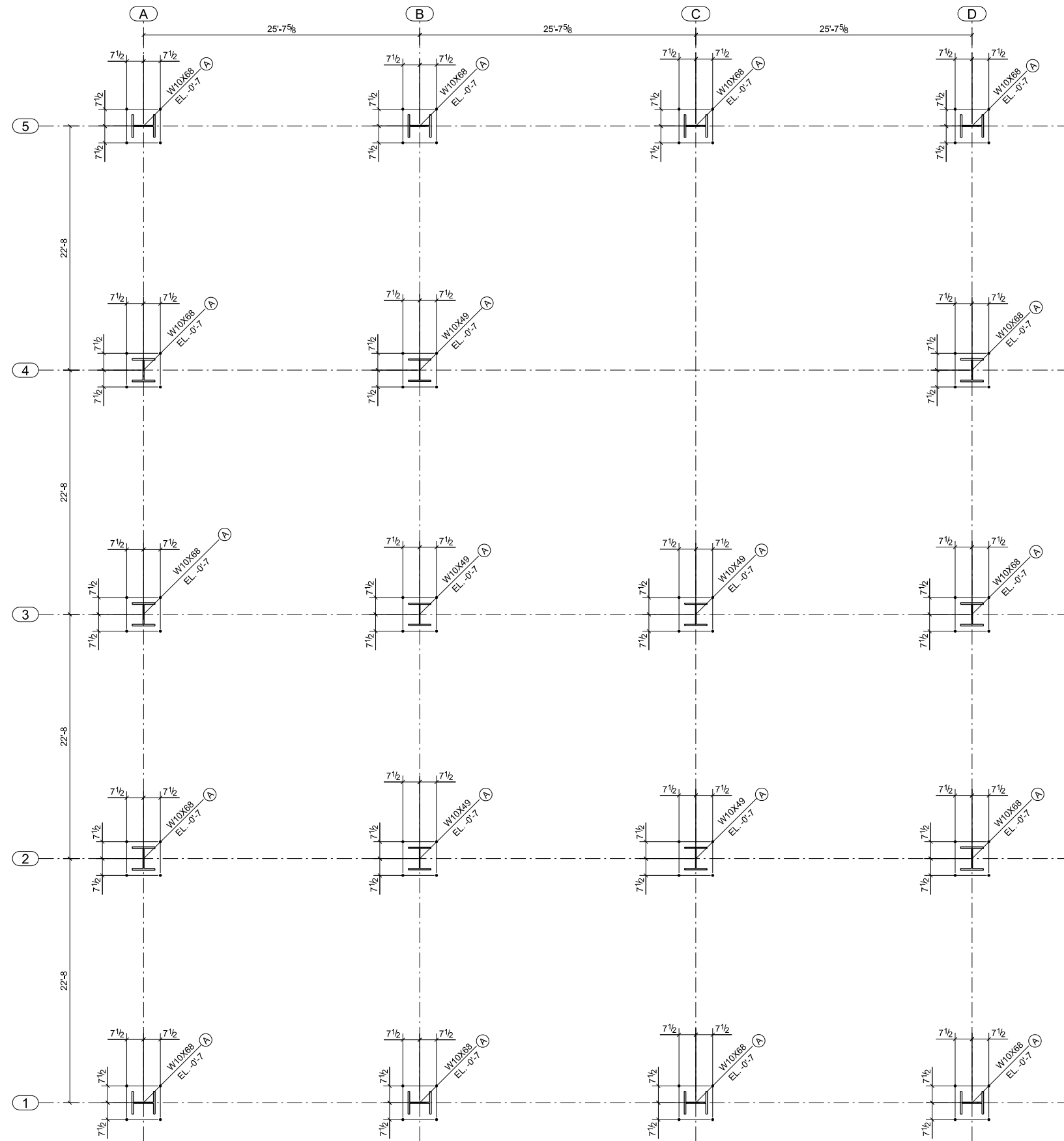


PARTIAL ANCHOR BOLT PLAN
 SEQ-5
 REF-S100

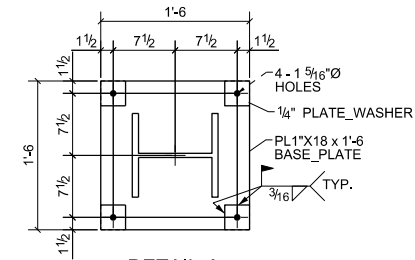
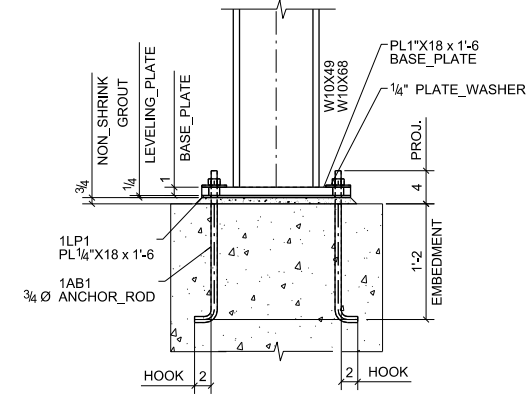
FINISHED FLOOR ELEVATION 47.24 = 0'-0" U.N.O.



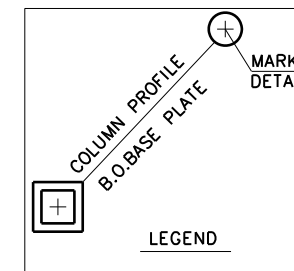
03/24/2015		FOR FIELD			
PRINT RECORD					
DATE	APP.	SHOP	FIELD	DIST.	COORD. F.C. OFFICE
<small>ALL INFORMATION PROVIDED ON THESE DRAWINGS ARE PREPARED IN ACCORDANCE TO THE CONTRACT DOCUMENTS AND THE SPECIFICATIONS. ALL CLOUDED AREAS SHOWN ARE DUE TO LACK OF INFORMATION PROVIDED BY THE GENERAL CONTRACTOR, ARCHITECT & ENGINEER. BEFORE WE CAN START FABRICATING ANY MATERIAL, PLEASE RESPOND WITH THE INFORMATION BY MARKING UP OUR SHOP DRAWINGS.</small>					
MATERIAL:	HOLE SIZE:	BOLT GRADE:	MINIMUM WELD:	ELECTRODE:	
A36 UNO	13/16" Ø UNO	A325-N UNO	3/16"	E-70XX	
			Simsona Corp. 2275 Research Boulevard, Suite 500, Rockville, MD 20850 Office: 301-774-0880 Email: raj@simsona.com		
			TONY'S CORNER, LLC.		
ARCH.	JOB NAME & LOCATION:				
ENGR.					
CONTR.					
REF:					JOB: 15-103
DRAWN BY: VV	03/24/2015	CHECKED BY: MSB	03/24/2015	SHEET: AB2	
PARTIAL ANCHOR BOLT PLAN					
<small>MODIFIED DATE: 03/24/2015 LAST PLOT DATE: 03/24/2015 CAD FILENAME: AB2</small>					



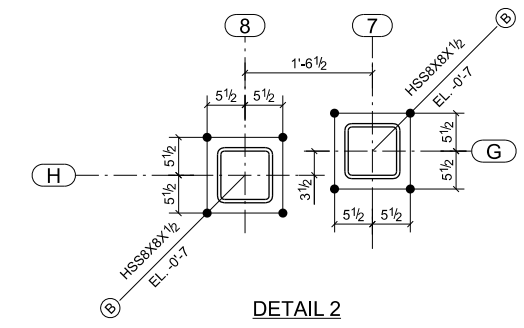
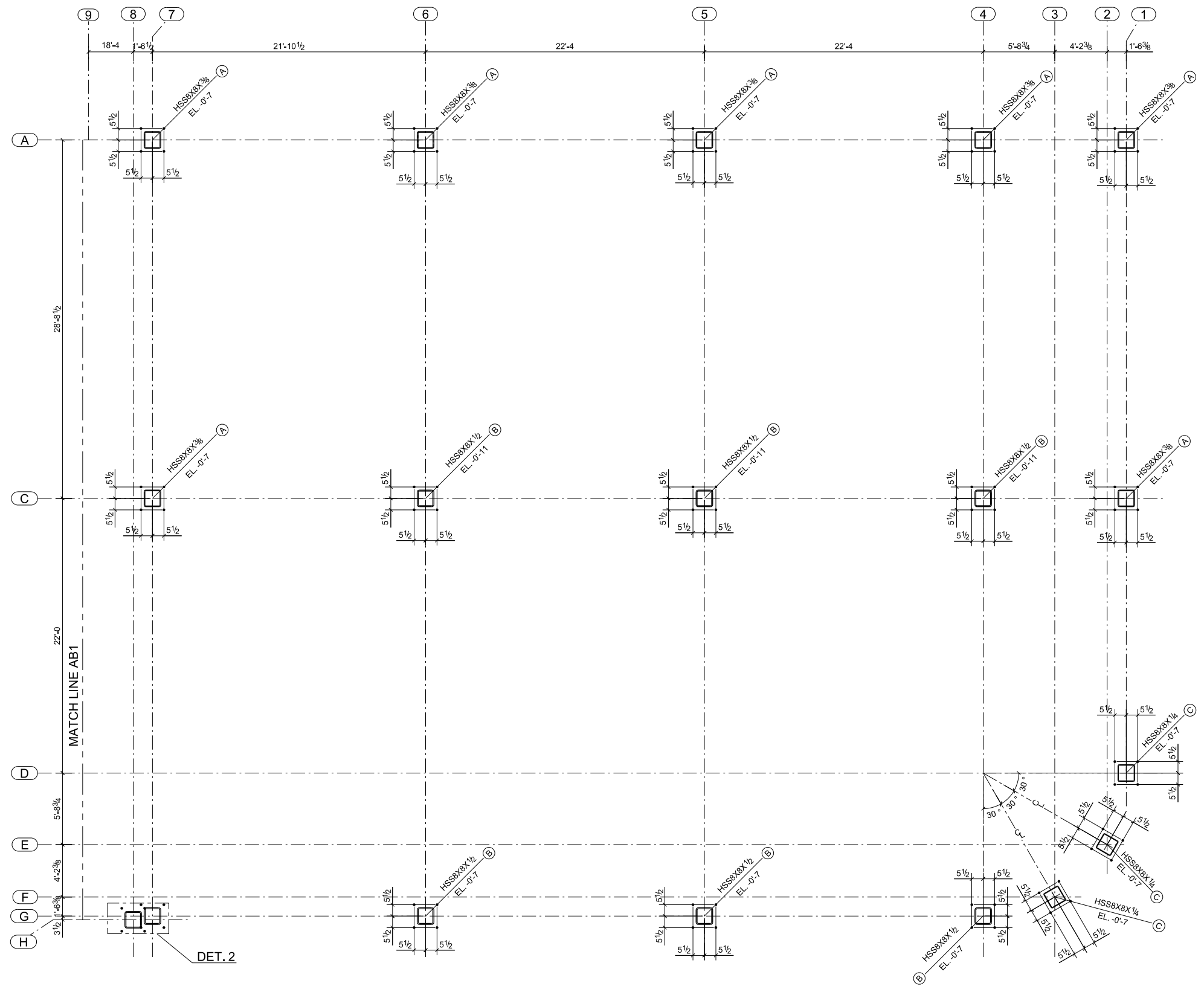
ANCHOR BOLT LAYOUT PLAN
 TOP OF SLAB ELEVATION 0'-0" U.N.O.
 SEQ-5
 (REF--S-1)



DETAIL-A
 REF-D6a/S-5
 19 LOC'S

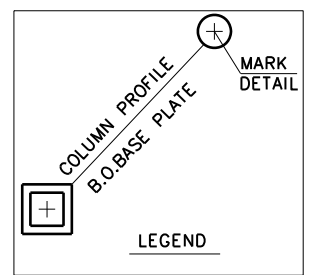


02/27/2015		FOR FIELD			
PRINT RECORD					
DATE	APP.	SHOP	FIELD	DIST.	COORD. F.C. OFFICE
<small>ALL INFORMATION PROVIDED ON THESE DRAWINGS ARE PREPARED IN ACCORDANCE TO THE CONTRACT DOCUMENTS AND THE SPECIFICATIONS. ALL CLOUDED AREAS SHOWN ARE DUE TO LACK OF INFORMATION PROVIDED BY THE CONTRACT DOCUMENTS OR SPECIFICATIONS, BUT PREPARED WITH ALL THE INFORMATION AVAILABLE TO US. WE MUST HAVE THESE AREAS ANSWERED BY THE GENERAL CONTRACTOR, ARCHITECT & ENGINEER BEFORE WE CAN START FABRICATING ANY MATERIAL. PLEASE RESPOND WITH THIS INFORMATION BY MARKING UP OUR SHOP DRAWINGS.</small>					
MATERIAL:	HOLE SIZE:	BOLT GRADE:	MINIMUM WELD:	ELECTRODE:	
A36 UNO	13/16" Ø UNO	A325-N UNO	3/16"	E-70XX	
			Simsona Corp. 2275 Research Boulevard, Suite 500, Rockville, MD 20850 Office: 301-774-0880 Email: raj@simsona.com		
ARCH.		JOB NAME & LOCATION:			
ENGR.		Excaltbur Professional Building			
CONTR.					
REF:		JOB:		15-102	
DRAWN BY: CB		02/27/2015		CHECKED BY: MSB 02/27/2015	
SHEET TITLE:		ANCHOR BOLT PLAN		SHEET: AB1	
MODIFIED DATE: 02/27/2015		LAST PLOT DATE: 02/27/2015		CAD FILENAME: AB1	

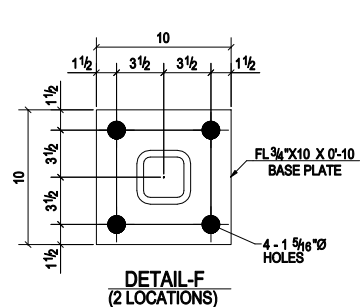
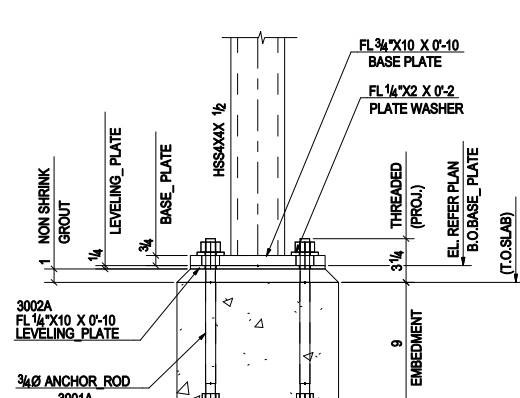
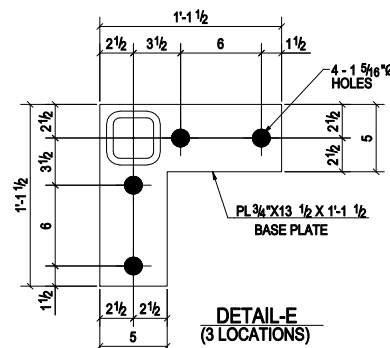
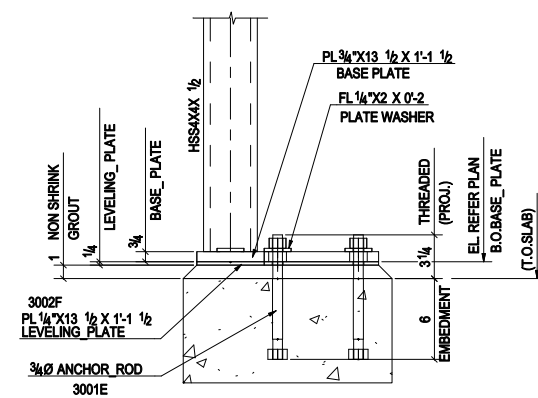
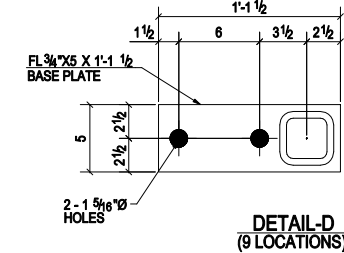
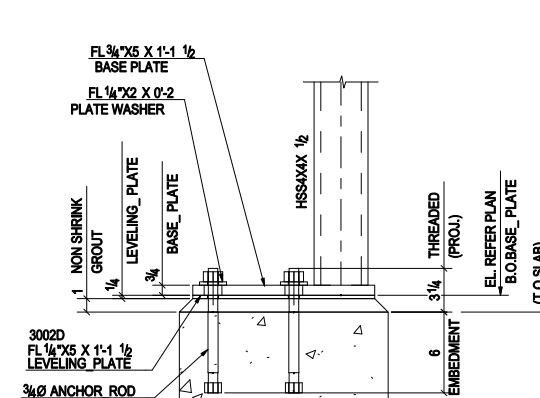
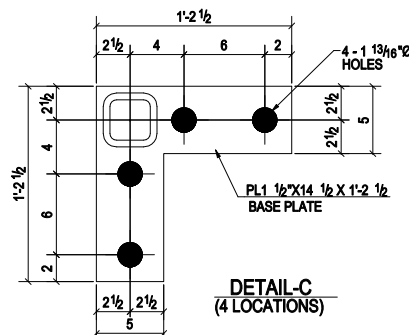
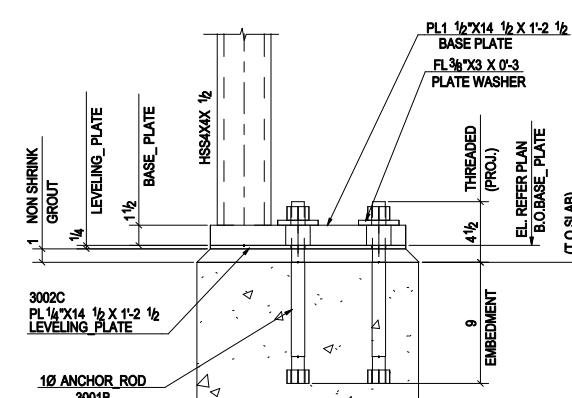
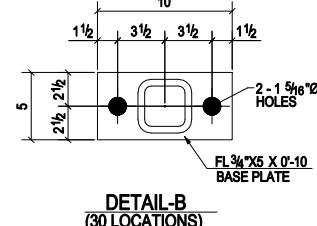
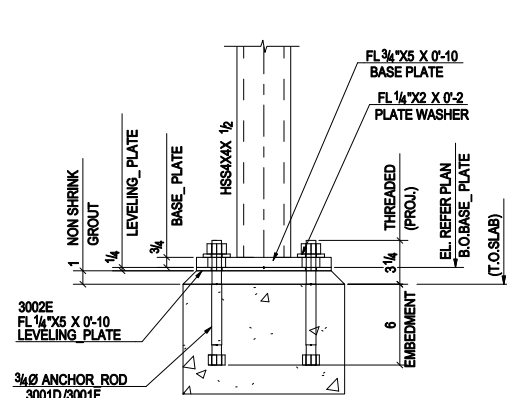
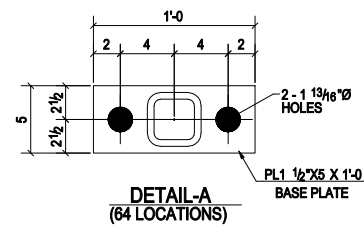
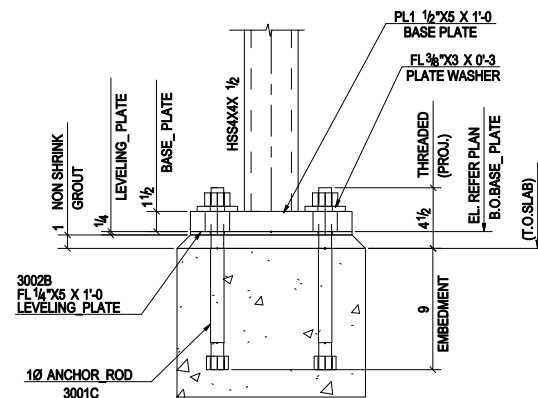


PARTIAL ANCHOR BOLT PLAN
 SEQ-5
 REF-S100

FINISHED FLOOR ELEVATION 47.24 = 0'-0" U.N.O.



03/24/2015		FOR FIELD			
PRINT RECORD					
DATE	APP.	SHOP	FIELD	DIST.	COORD. F.C. OFFICE
<small>ALL INFORMATION PROVIDED ON THESE DRAWINGS ARE PREPARED IN ACCORDANCE TO THE CONTRACT DOCUMENTS AND THE SPECIFICATIONS. ALL CLOTTED AREAS SHOWN ARE DUE TO LACK OF INFORMATION PROVIDED BY THE GENERAL CONTRACTOR, ARCHITECT & ENGINEER. BEFORE WE CAN START FABRICATING ANY MATERIAL, PLEASE RESPOND WITH THE INFORMATION BY MARKING UP OUR SHOP DRAWINGS.</small>					
MATERIAL:	HOLE SIZE:	BOLT GRADE:	MINIMUM WELD:	ELECTRODE:	
A36 UNO	13/16" Ø UNO	A325-N UNO	3/16"	E-70XX	
			Simsona Corp. 2275 Research Boulevard, Suite 500, Rockville, MD 20850 Office: 301-774-0880 Email: raj@simsona.com		
ARCH.			JOB NAME & LOCATION:		
ENGR.			TONY'S CORNER, LLC.		
CONTR.					
REF:			JOB:		15-103
DRAWN BY:	VV	03/24/2015	CHECKED BY:	MSB	03/24/2015
SHEET TITLE:	PARTIAL ANCHOR BOLT PLAN				SHEET: AB2
<small>MODIFIED DATE: 03/24/2015 LAST PLOT DATE: 03/24/2015 CAD FILENAME: AB2</small>					



NOTE:-
1. TOP OF SLAB EL. 0'-0"

APPROVAL / REVIEW AUTHORITY:

APPROVAL BY THE OWNER OF SHOP DRAWINGS PREPARED BY THE FABRICATOR INDICATES THAT THE FABRICATOR HAS CORRECTLY INTERPRETED THE CONTRACT DRAWINGS. APPROVAL DOES NOT RELIEVE THE FABRICATOR OF THE RESPONSIBILITY FOR ACCURACY OF DETAIL DIMENSIONS, NOR THE GENERAL FIT-UP OF PARTS TO BE ASSEMBLED IN THE FIELD. UNLESS SPECIFICALLY STATED TO THE CONTRARY, ANY ADDITIONS, DELETIONS OR CHANGES INDICATED ON THE APPROVAL OF THE SHOP AND ERECTION DRAWINGS ARE AUTHORIZATIONS BY THE OWNER TO RELEASE THE ADDITIONS, DELETIONS OR CHANGES FOR CONSTRUCTION.



CUSTOMER:			
PROJECT:		P-3191 SOF SUSTAINMENT TRAINING COMPLEX	
LOCATION:			
DESCRIPTION:		SECTION & DETAILS	
DRAWN BY: VM	CHECKED BY: PKP	JOB NO. 0407	SHEET NO. 3AB2
DATE: 04/07/2015	DATE: 04/07/2015		