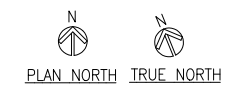


**SHOOT HOUSE B-CATWALK FRAMING PLAN @ T.O.S. EL.+10'-4 1/2" (U.N.O.)**  
(REF-S-110)

- (1) ALL BEAMS PROFILE ARE C12X25.
- (2) ALL COLUMN PROFILE ARE HSS4X4X 1/2
- (3) ALL HORIZ BRACE PROFILE ARE L4X4X 1/4
- (4) ALL HORIZ BRACE (-4) BELOW FROM TOP OF STEEL.



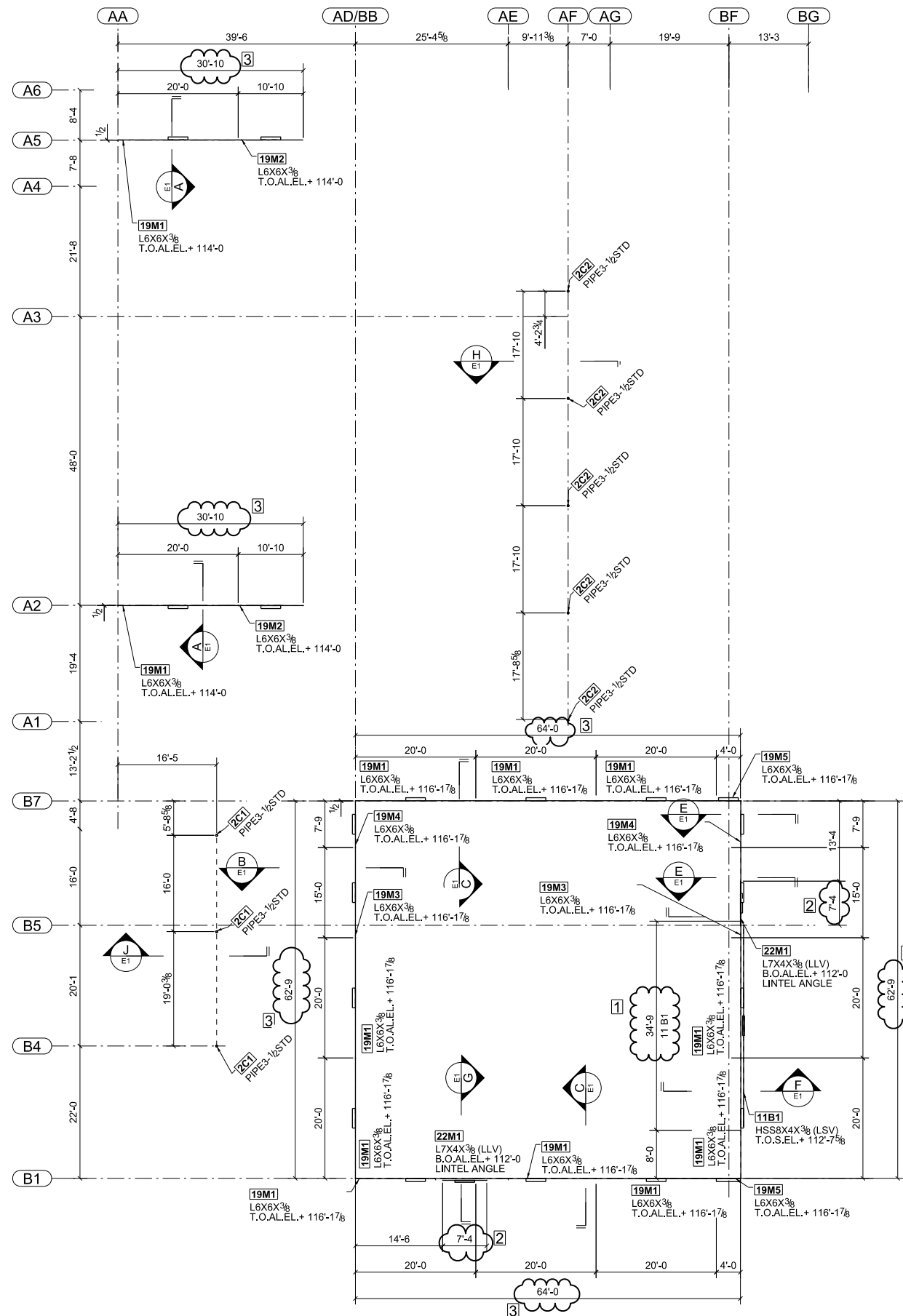
**APPROVAL / REVIEW AUTHORITY:**

APPROVAL BY THE OWNER OF SHOP DRAWINGS PREPARED BY THE FABRICATOR INDICATES THAT THE FABRICATOR HAS CORRECTLY INTERPRETED THE CONTRACT DRAWINGS. APPROVAL DOES NOT RELIEVE THE FABRICATOR OF THE RESPONSIBILITY FOR ACCURACY OF DETAIL DIMENSIONS, NOR THE GENERAL FIT-UP OF PARTS TO BE ASSEMBLED IN THE FIELD. UNLESS SPECIFICALLY STATED TO THE CONTRARY, ANY ADDITIONS, DELETIONS OR CHANGES INDICATED ON THE APPROVAL OF THE SHOP AND ERECTION DRAWINGS ARE AUTHORIZATIONS BY THE OWNER TO RELEASE THE ADDITIONS, DELETIONS OR CHANGES FOR CONSTRUCTION.

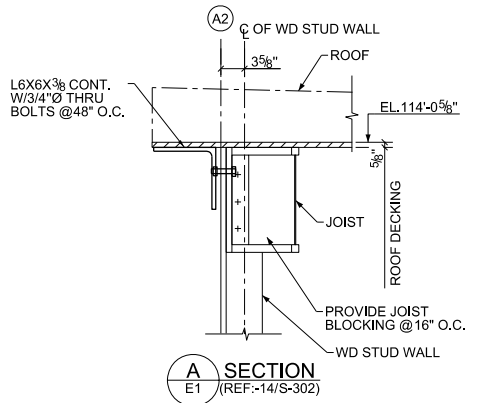


CUSTOMER:		P-3191 SOF SUSTAINMENT TRAINING COMPLEX	
PROJECT:		SHOOT HOUSE B-CATWALK FRAMING PLAN	
LOCATION:		SHOOT HOUSE B-CATWALK FRAMING PLAN	
DESCRIPTION:		SHOOT HOUSE B-CATWALK FRAMING PLAN	
NO. 10062015	FOR FIELD USE	DATE:	NO. TYPE FOR
DATE:	REVISIONS	DATE:	NO. TYPE FOR
		PRINT RECORD	
CHECKED BY: RS	JOB NO. 0407	DRAWN BY: VM	SHEET NO. 3E1
DATE: 10/05/2015		DATE: 10/05/2015	

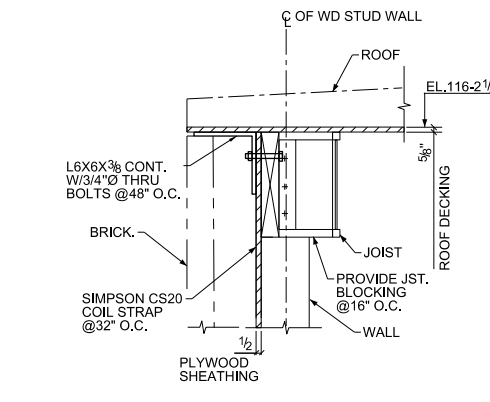




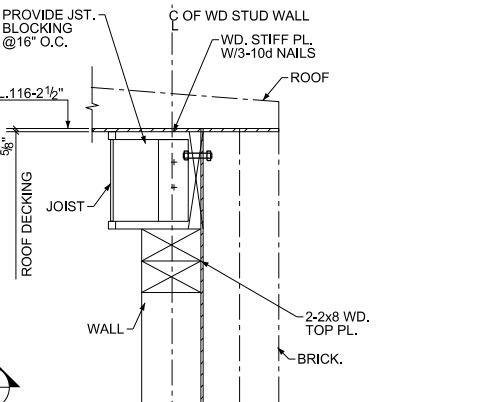
ROOF FRAMING PLAN  
(REF-S-102S)



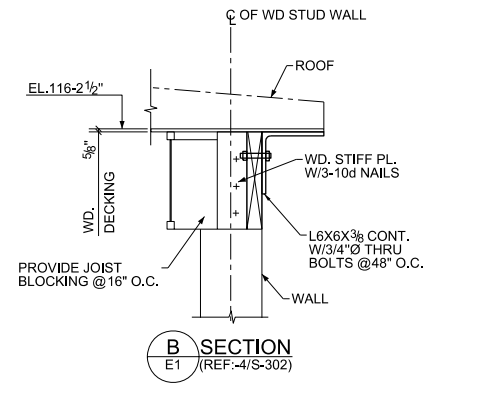
A SECTION  
E1 (REF-14/S-302)



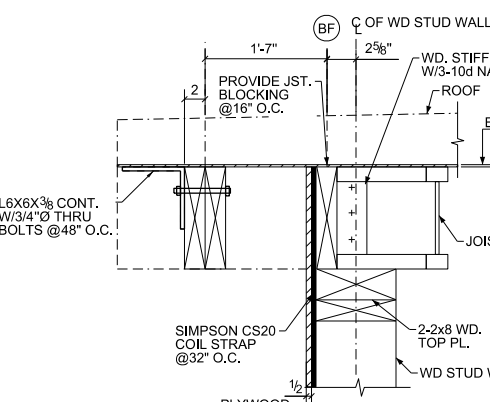
E SECTION  
E1 (REF-ES401)



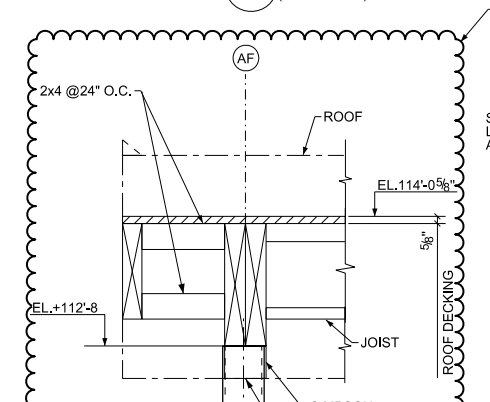
F SECTION  
E1 (REF-5/S-302)



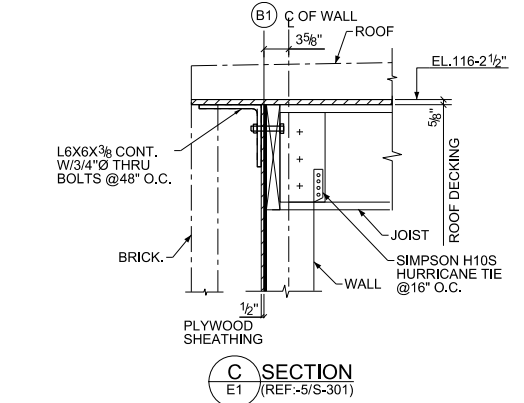
B SECTION  
E1 (REF-4/S-302)



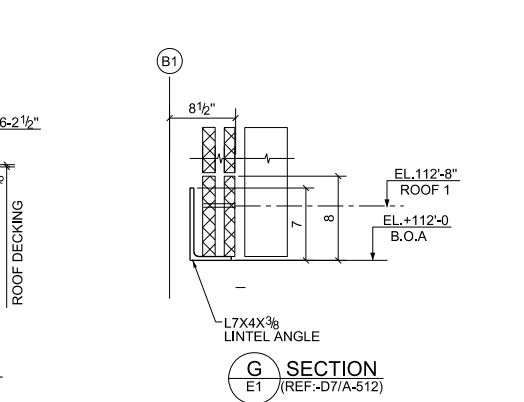
E SECTION  
E1 (REF-E/S401)



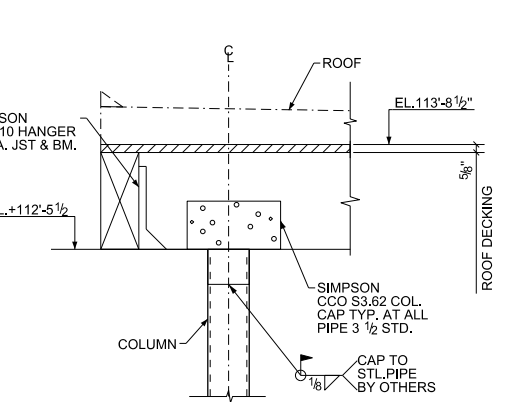
H SECTION  
E1 (REF-4/S-301)



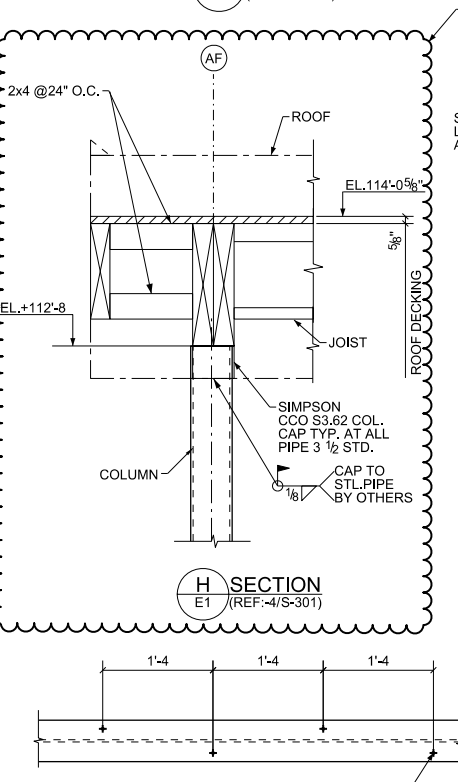
C SECTION  
E1 (REF-5/S-301)



G SECTION  
E1 (REF-D7/A-512)



J SECTION  
E1 (REF-2/S-302)



TYPICAL BEAM HOLE

GC TO VERIFY AND CONFIRM BEFORE ERECTION

- 1 11B1 BEAM LENGTH (REFER RFI#02)
- 2 LINTEL ANGLE LENGTH (REFER RFI#03)
- 3 L6X6X3/8 ANGLE LENGTH (REFER RFI#03)
- 4 SECTION H/E1 (REFER RFI#04)

LEGEND:

- LLV - LONG LEG VERTICAL
- LSV - LONG SIDE VERTICAL
- T.O.A.L - TOP OF ANGLE
- B.O.A.L - BOTTOM OF ANGLE

REV.	DESCRIPTION	DATE
1	For Field Use	12/01/2015

PROJECT NAME: **DESIRE STREET MINISTRIES**

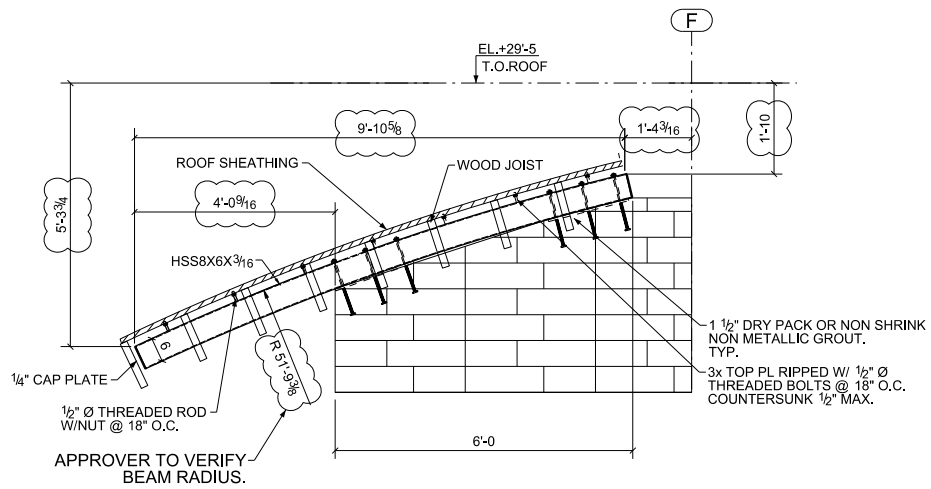
LOCATION:

CONTR:

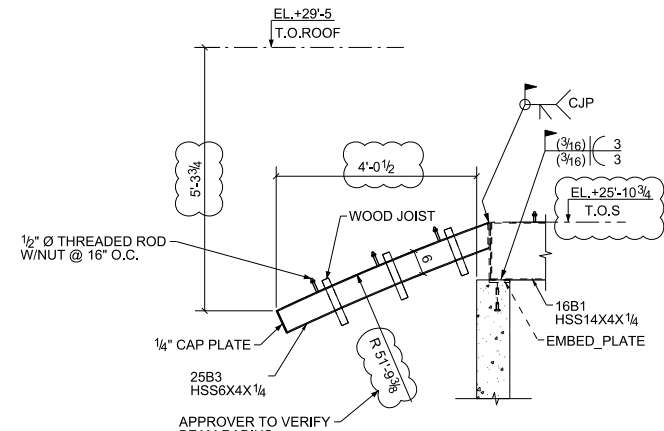
**SIMSONA** ENGINEERING SERVICES  
 Simsona Corp.  
 2275 Research Boulevard,  
 Suite 500, Rockville, MD 20850  
 Office: 301-774-0880  
 Email: raj@simsona.com

DRAWN BY: AK DATE: 12/01/2015 CHECKED BY: PM  
 JOB NO. ROOF FRAMING PLAN SHEET NO. **E1**

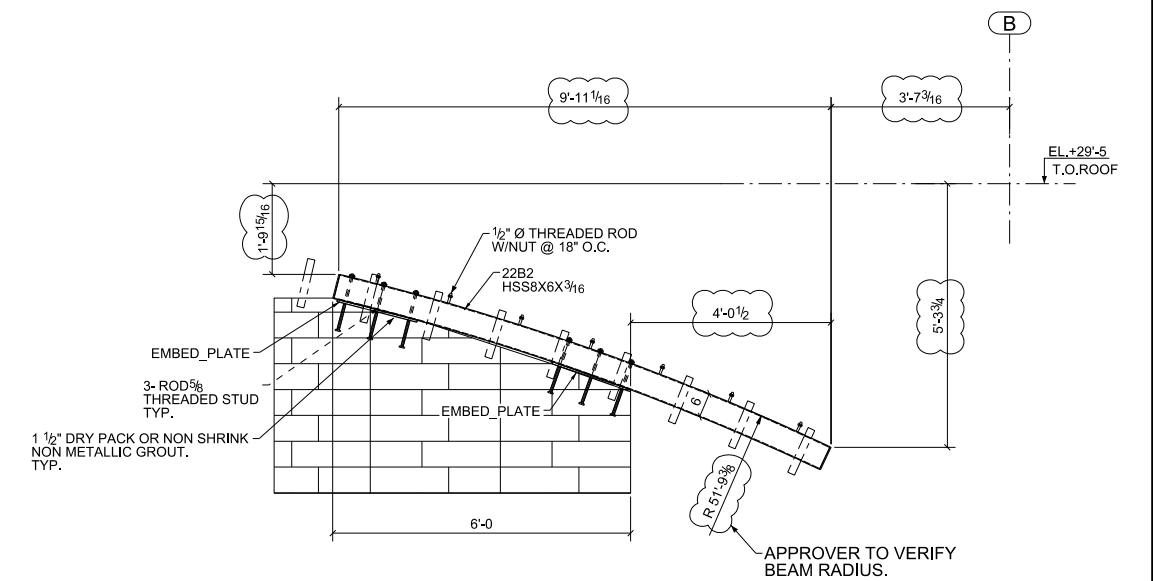




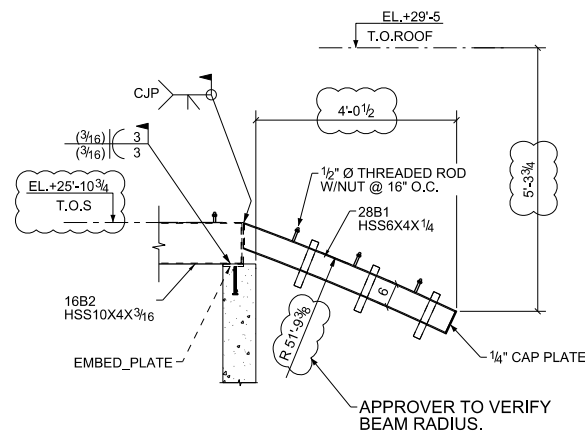
**A SECTION**  
E10 (REF.-251/S8.2)



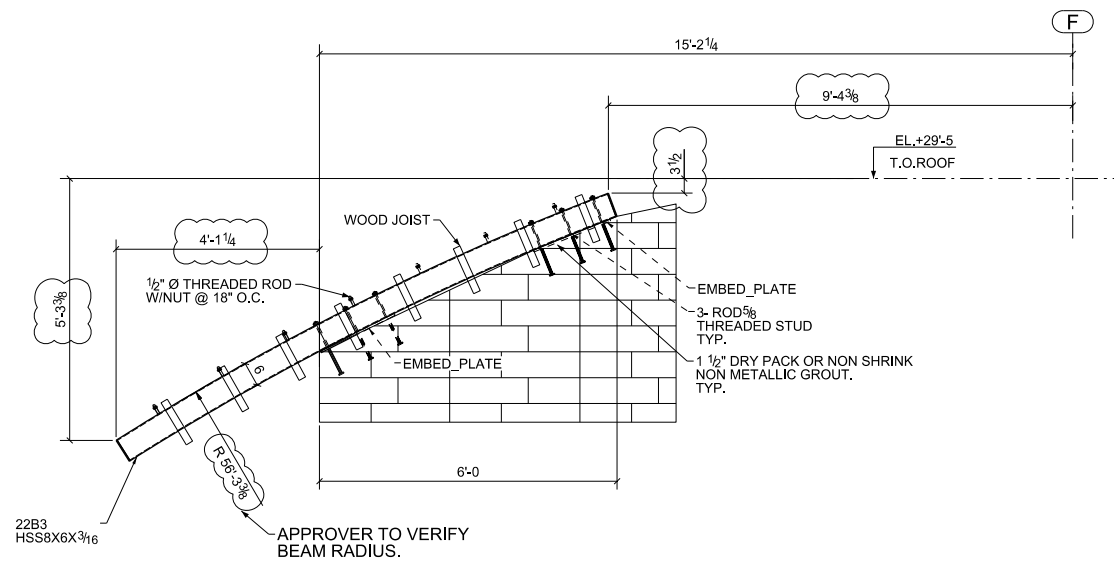
**B SECTION**  
E10 (REF.-203/S8.1)



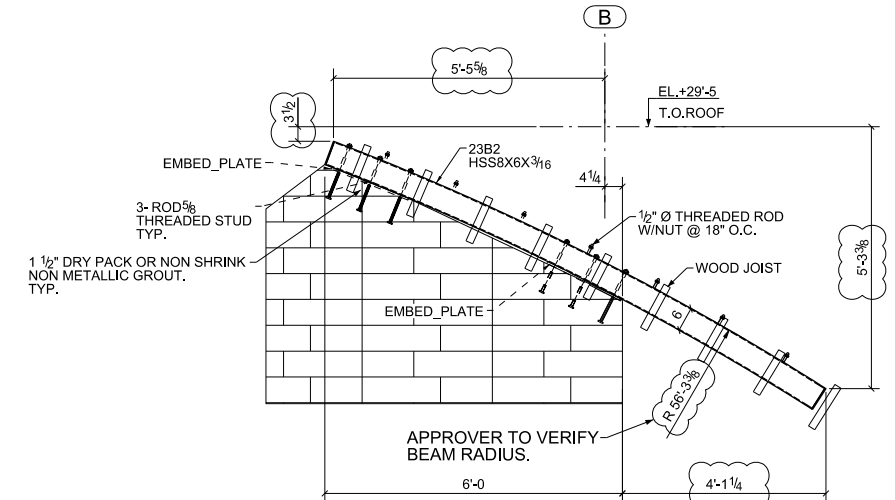
**C SECTION**  
E10 (REF.-251/S8.2)



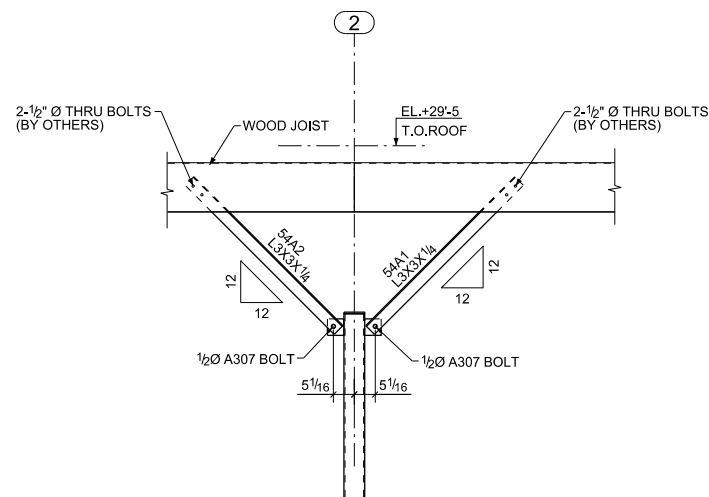
**D SECTION**  
E10 (REF.-203/S8.1)



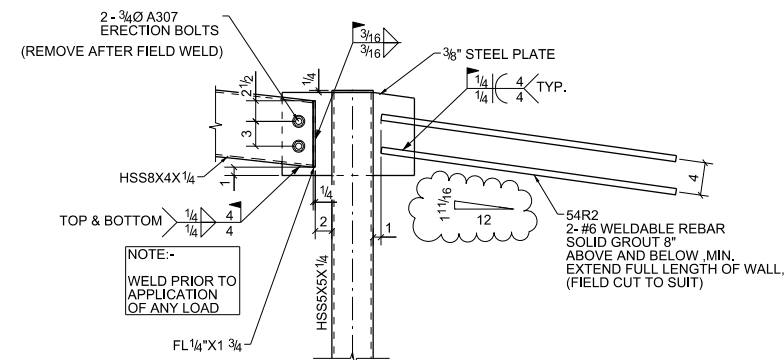
**F SECTION**  
E10 (REF.-251/S8.2)



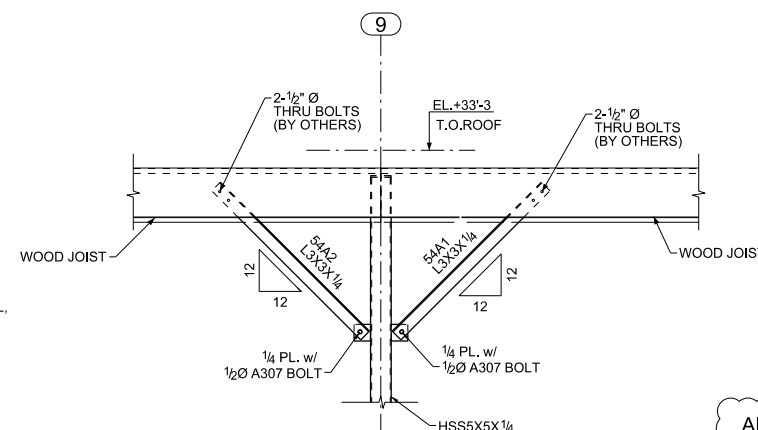
**G SECTION**  
E10 (REF.-251/S8.2)



**E SECTION**  
E10 (REF.-206/S8.1)

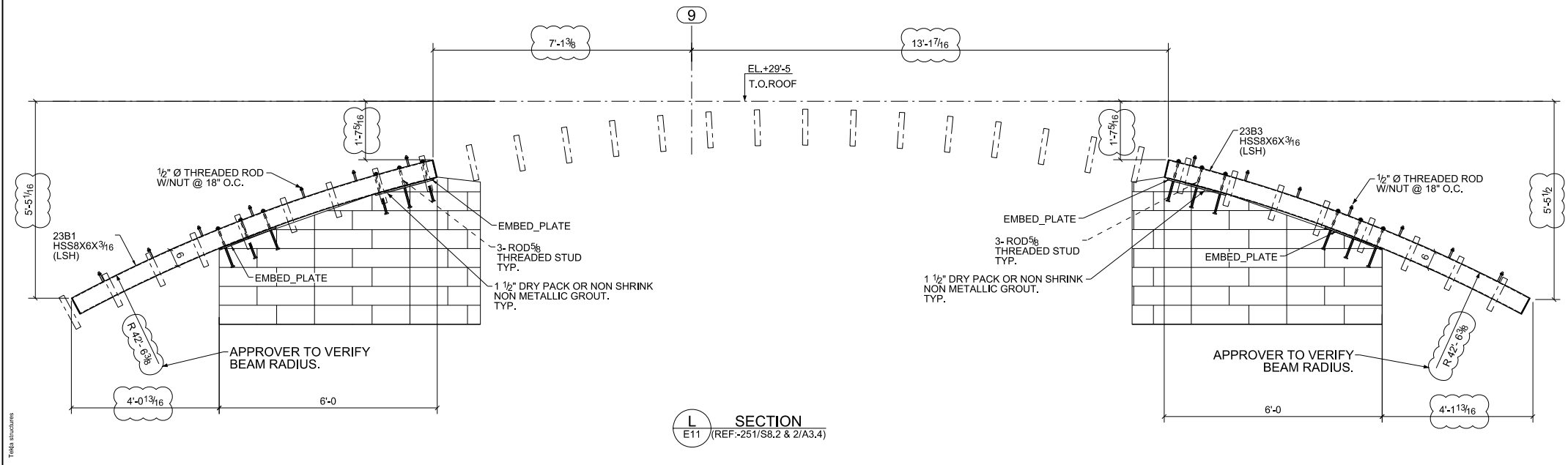
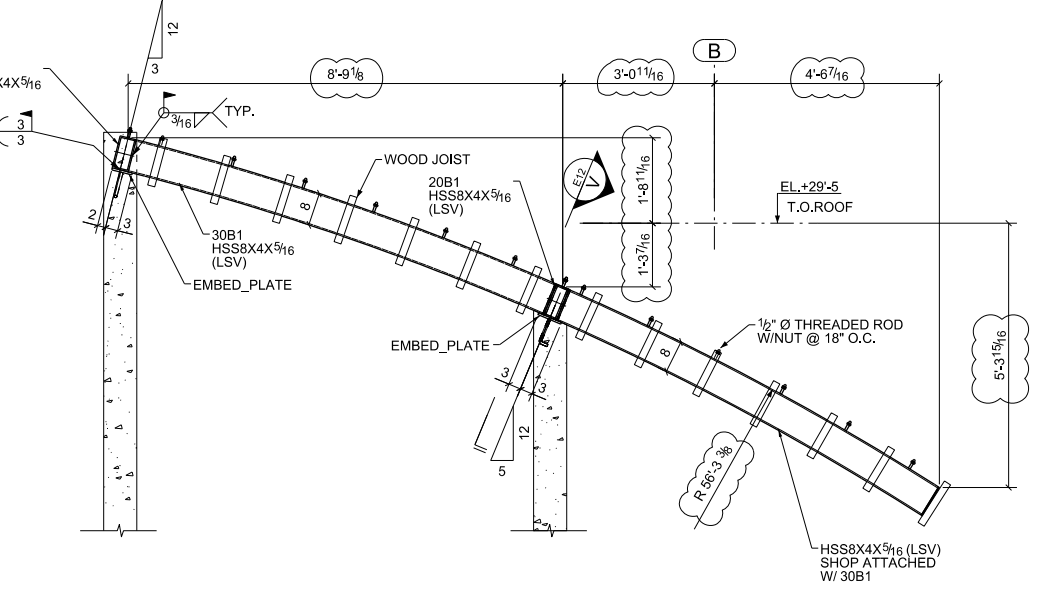
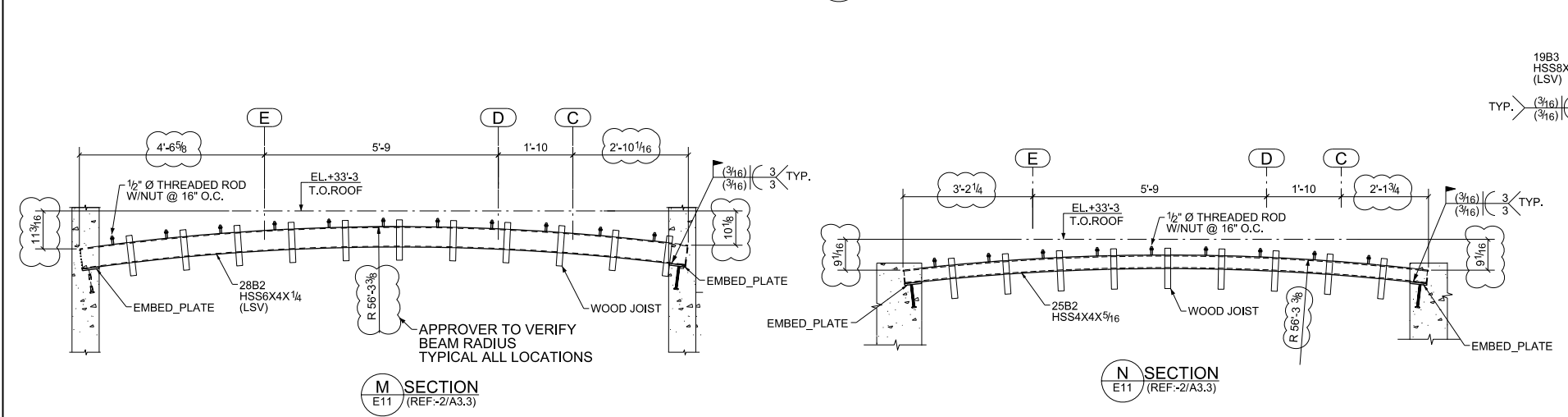
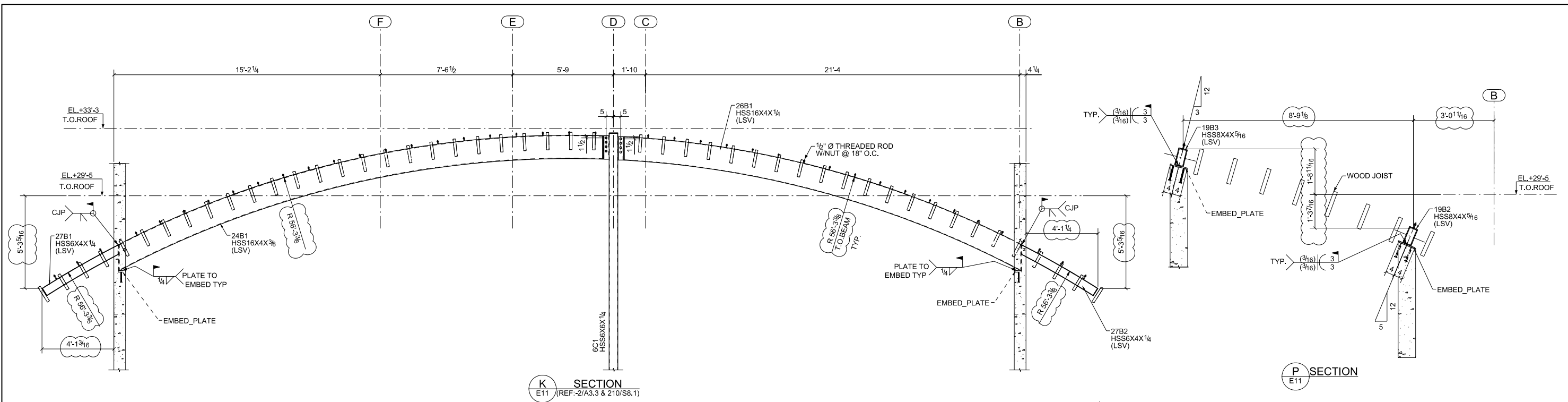


**H SECTION**  
E10 (REF.-252/S8.2)



**J SECTION**  
E10 (REF.-206/S8.1)

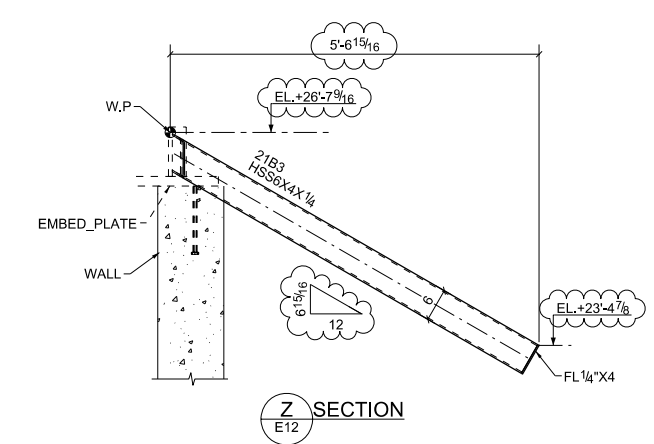
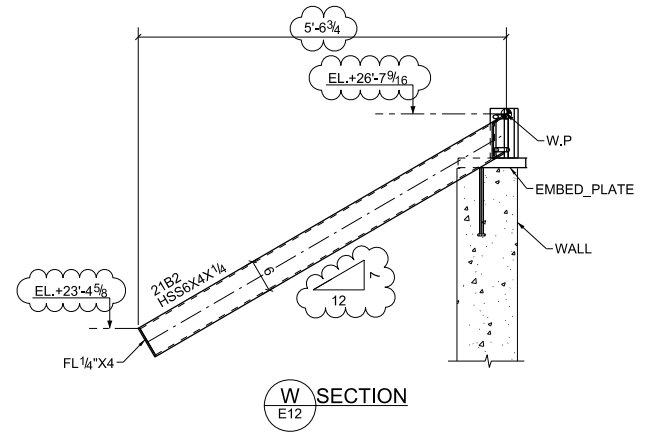
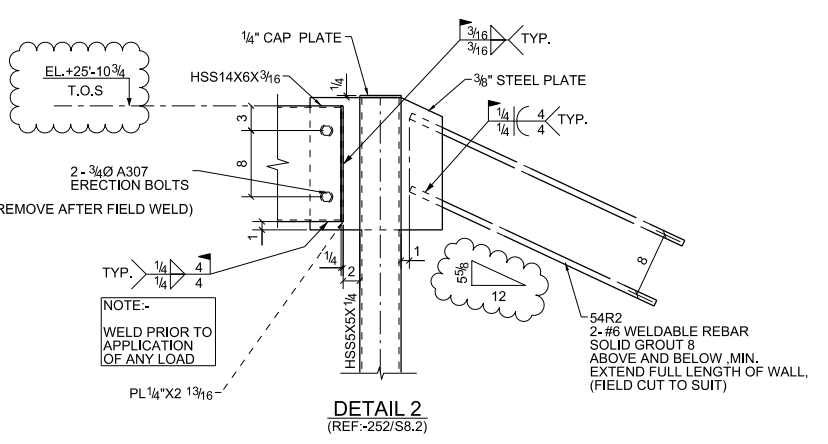
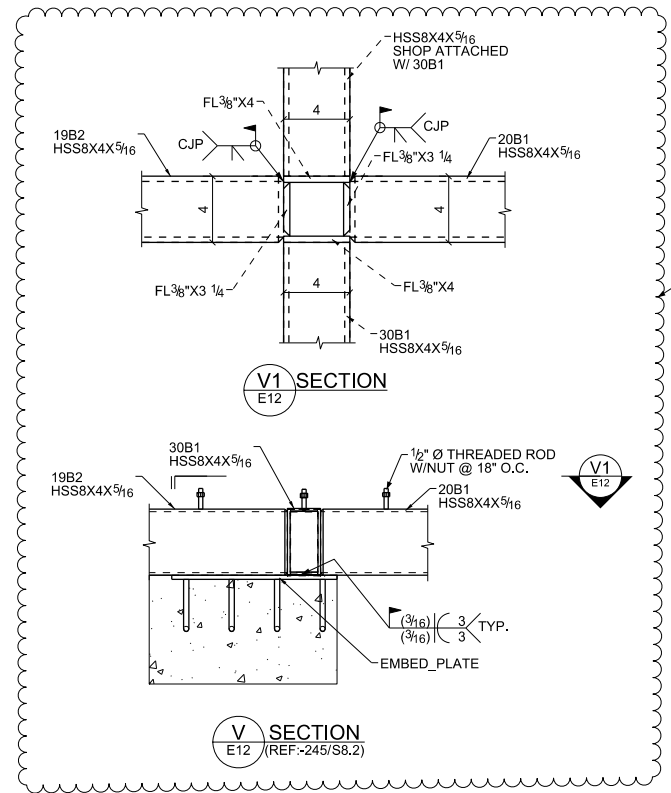
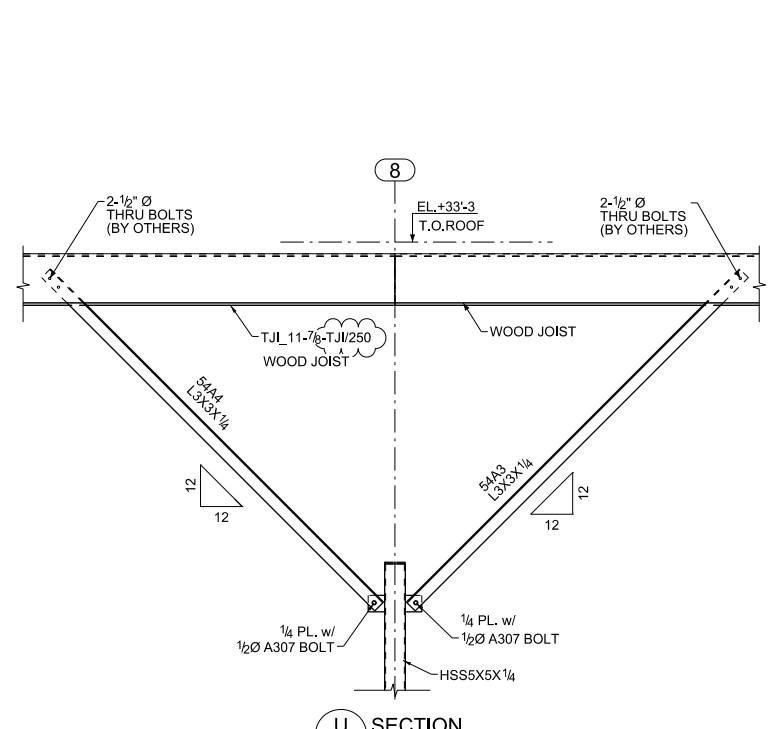
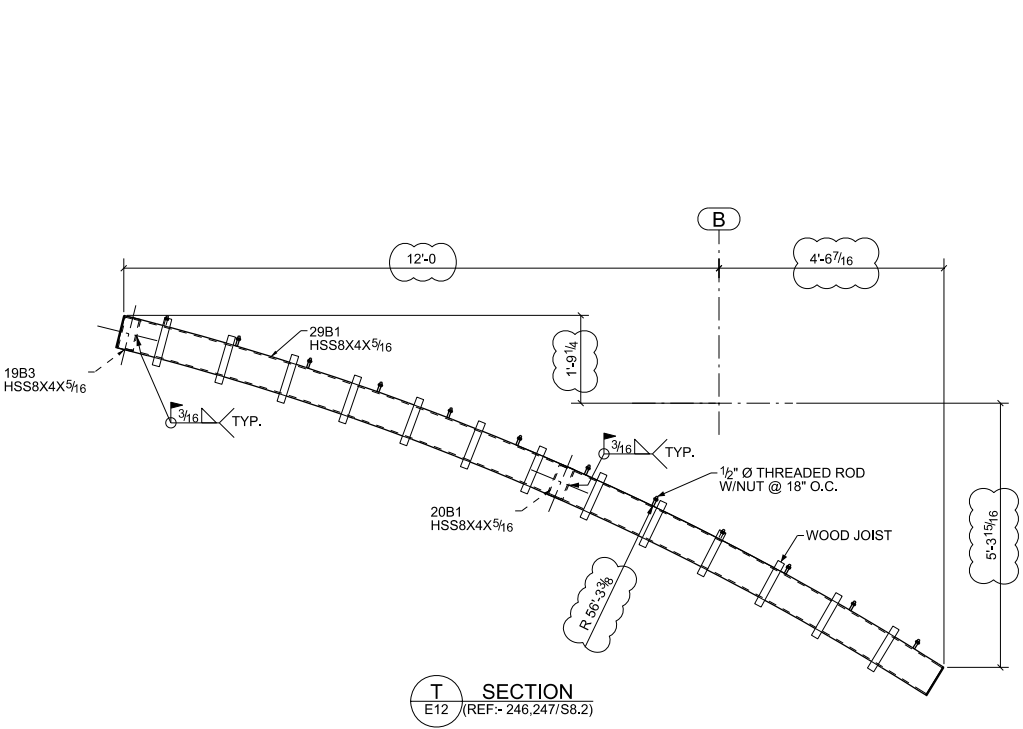
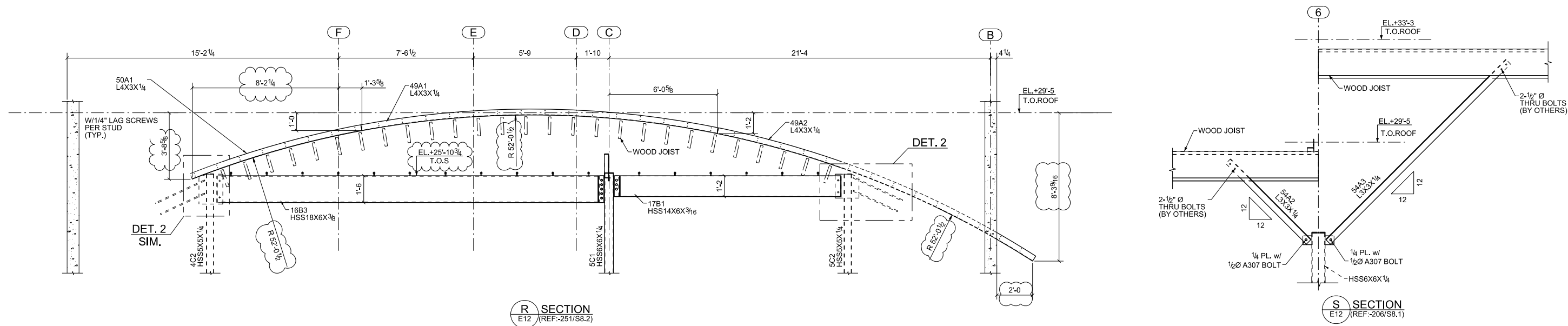
NO.	DATE	BY	CHK'D	MSB	FOR APPROVAL
B	02/18/2015	CB	MSB		
PAINT SPEC.: One Coat Shop Primer					
REFERENCE DRAWINGS: Structural Design Set					
<b>SIMSONA</b> ENGINEERING SERVICES					
Simsona Corp. 2275 Research Boulevard, Suite 500, Rockville, MD 20850 Office: 301-774-0880 Email: raj@simsona.com					
<b>GUARDIAN AMBULANCE BUILDING</b>					
CUSTOMER:					
SCALE	13/16 Ø U.N.	DRAWN	CB	P.O.#	Structural Design Set
MET. SPEC.	A36 U.N.	CHECKED	MSB	DATE	02/18/2015
ERECTOR	EB	DATE	NTS	1:24	SHT.#
DWG.	EB	DATE	NTS	1:24	SHT.#
					<b>E10</b>
					<b>B</b>



**LEGEND:-**  
 (LSH) - LONG SIDE HORIZONTAL  
 (LSV) - LONG SIDE VERTICAL

APPROVER TO VERIFY ALL CLOUDED PORTION.

B 02/18/2015 CB MSB FOR APPROVAL			
NO.	DATE	BY	CHK'D
REVISION			
PAINT SPEC.: One Coat Shop Primer			
REFERENCE DRAWINGS: Structural Design Set			
Simsona Corp. 2275 Research Boulevard, Suite 500, Rockville, MD 20850 Office: 301-774-0880 Email: raj@simsona.com			
<b>GUARDIAN AMBULANCE BUILDING</b>			
CUSTOMER:			
HOLE DR.	13/16 Ø U.N.	DRAWN BY	CB
MET. SPEC.	A36 U.N.	CHECKED BY	MSB
ERECTOR	EB	DATE	02/18/2015
DWG.	EB	DATE	02/18/2015
REV.	B	SHT.#	E11

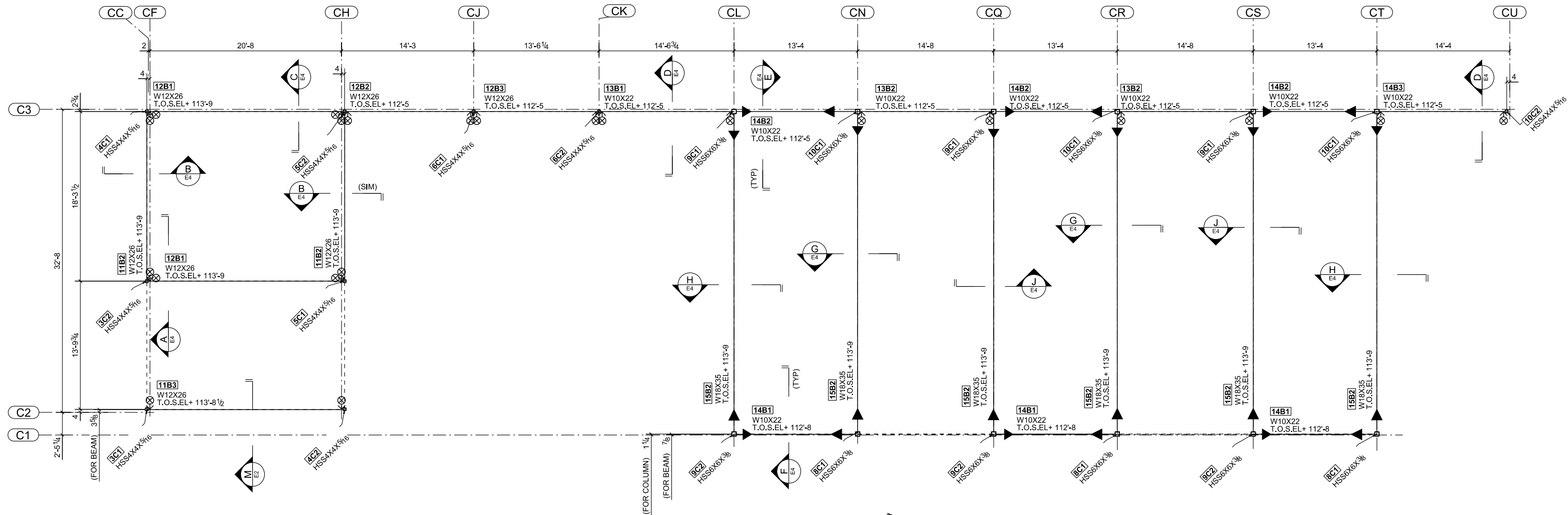


APPROVER TO VERIFY ALL CLOUDED PORTION.

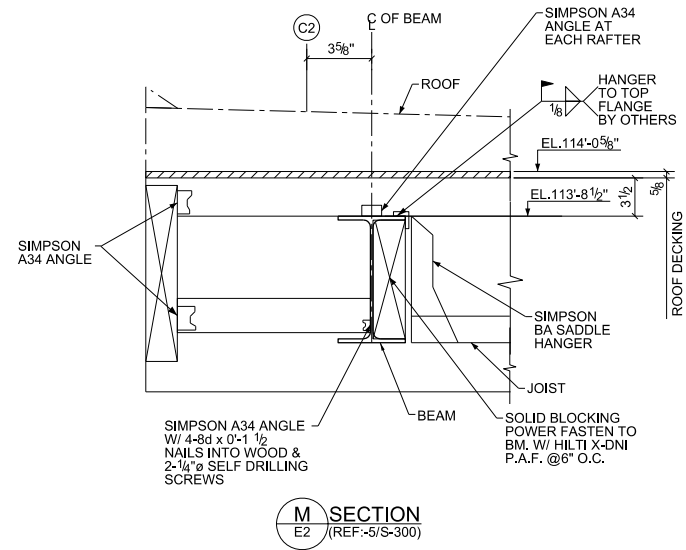
APPROVER TO VERIFY CONNECTION ARRANGEMENT

B	02/18/2015	CB	MSB	FOR APPROVAL
NO.	DATE	BY	CHK'D	REVISION
PAINT SPEC.: One Coat Shop Primer				
REFERENCE DRAWINGS: Structural Design Set				
<p>Simsona Corp. 2275 Research Boulevard, Suite 500, Rockville, MD 20850 Office: 301-774-0880 Email: raj@simsona.com</p>				
<b>GUARDIAN AMBULANCE BUILDING</b>				
CUSTOMER:				
DRAWN BY	13/16 Ø U.N.	CHECKED BY	CB	P.O.#
DATE	02/18/2015	DATE	02/18/2015	W.O.#
ERECTOR	EB	SCALE	1:24	SHT.#
DWG.	EB	PLOT SCALE	NTS	E12
				REV. B

Terra Structures



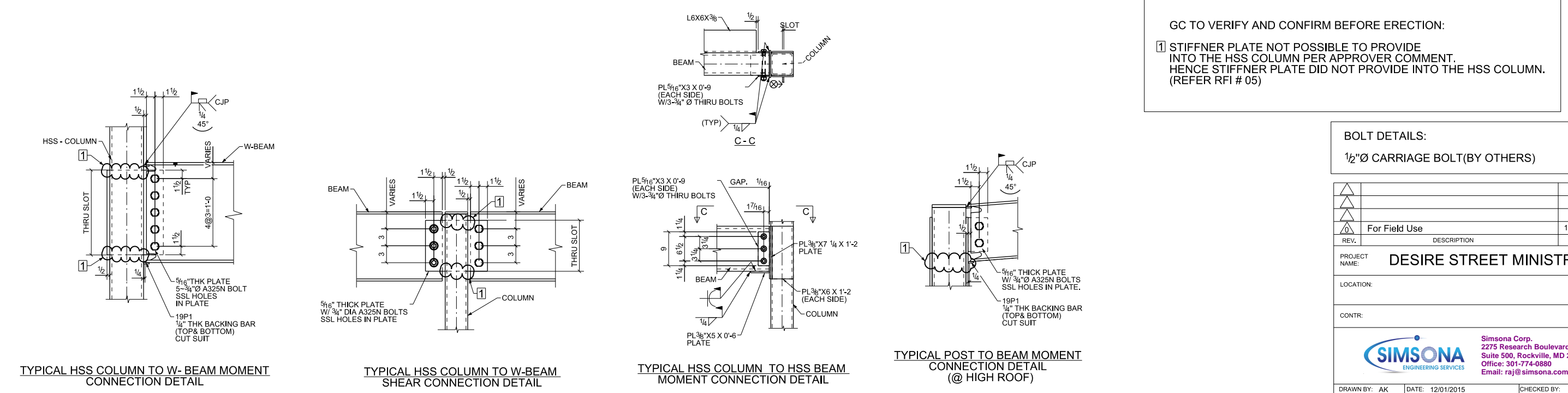
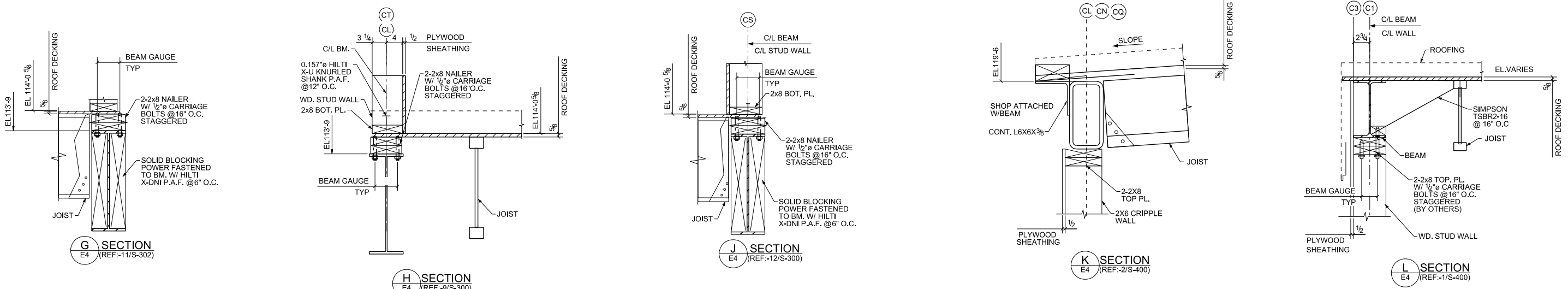
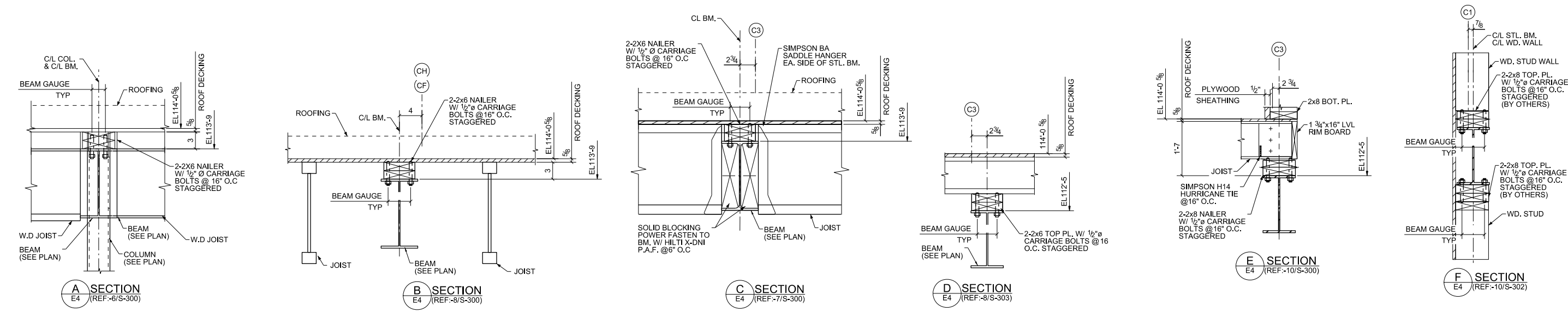
**ROOF FRAMING PLAN**  
TOP OF STEEL ELEVATION VARIES  
(REF:-S-102N)



**M SECTION**  
E2 (REF:-S-300)

LEGEND	
	MOMENT CONNECTION
	T.O.S - TOP OF STEEL

△		
△		
△	For Field Use	12/01/2015
REV.	DESCRIPTION	DATE
PROJECT NAME: <b>DESIRE STREET MINISTRIES</b>		
LOCATION:		
CONTR:		
Simsona Corp. 2275 Research Boulevard, Suite 500, Rockville, MD 20850 Office: 301-774-0880 Email: raj@simsona.com		
DRAWN BY: AK	DATE: 12/01/2015	CHECKED BY: PM
JOB NO.	ROOF FRAMING PLAN	SHEET NO. <b>E2</b>

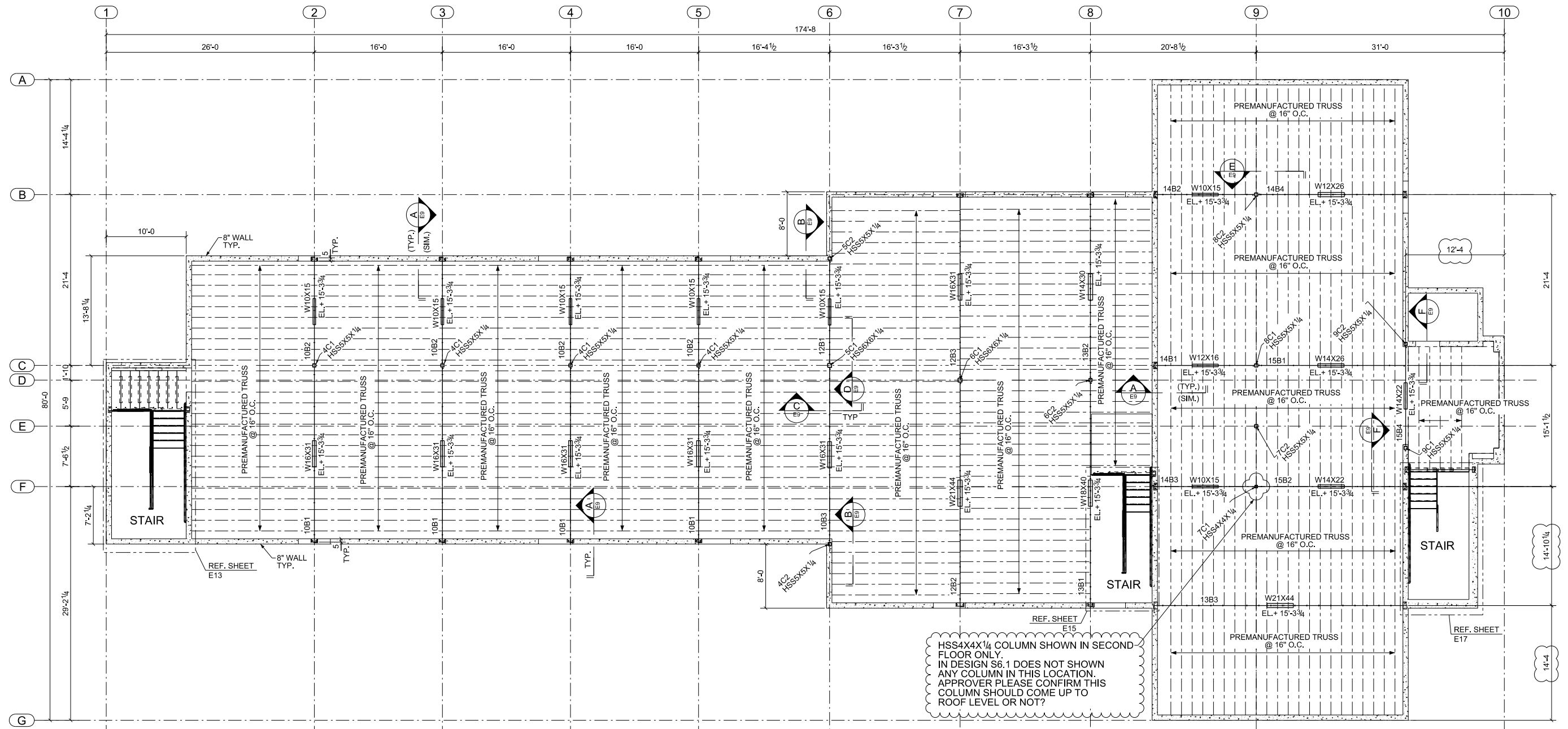


GC TO VERIFY AND CONFIRM BEFORE ERECTION:  
 1 STIFFNER PLATE NOT POSSIBLE TO PROVIDE INTO THE HSS COLUMN PER APPROVER COMMENT. HENCE STIFFNER PLATE DID NOT PROVIDE INTO THE HSS COLUMN. (REFER RFI # 05)

**BOLT DETAILS:**  
 1/2" Ø CARRIAGE BOLT (BY OTHERS)

△		
△		
△	For Field Use	12/01/2015
REV.	DESCRIPTION	DATE
PROJECT NAME: <b>DESIRE STREET MINISTRIES</b>		
LOCATION:		
CONTR:		
Simsona Corp. 2275 Research Boulevard, Suite 500, Rockville, MD 20850 Office: 301-774-0880 Email: raj@simsona.com		
DRAWN BY: AK	DATE: 12/01/2015	CHECKED BY: PM
JOB NO.	SECTIONS & TYPICAL DETAILS	SHEET NO. <b>E4</b>





HSS4X4X1/4 COLUMN SHOWN IN SECOND FLOOR ONLY. IN DESIGN S6.1 DOES NOT SHOWN ANY COLUMN IN THIS LOCATION. APPROVER PLEASE CONFIRM THIS COLUMN SHOULD COME UP TO ROOF LEVEL OR NOT?

**FLOOR FRAMING PLAN** (REF:-S5.1)

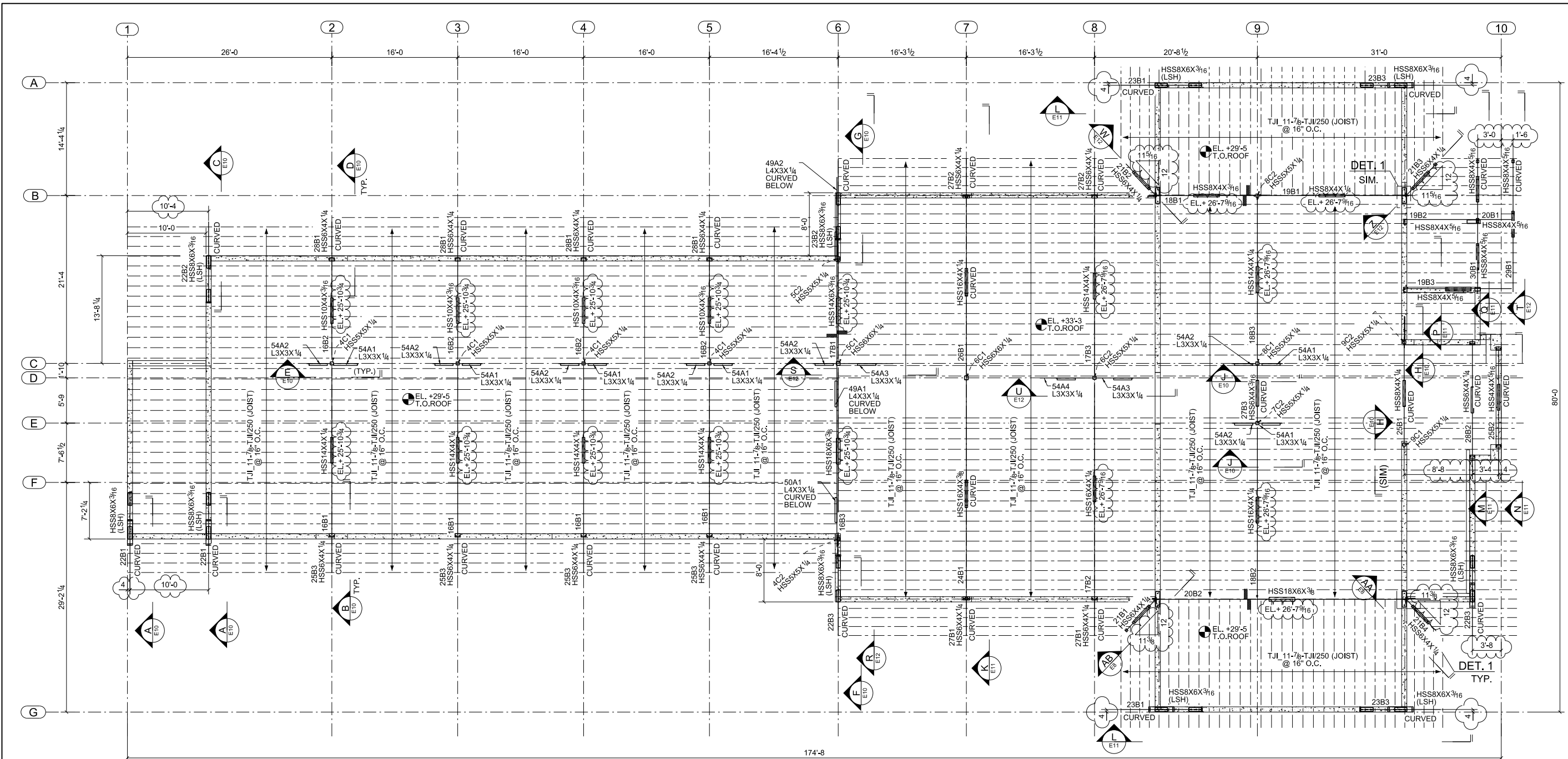
TOP OF SLAB ELEVATION + 16'-0" U.N.O  
 TOP OF STEEL ELEVATION + 15'-3 3/4" U.N.O

APPROVER TO VERIFY T.O.S ELEVATION.

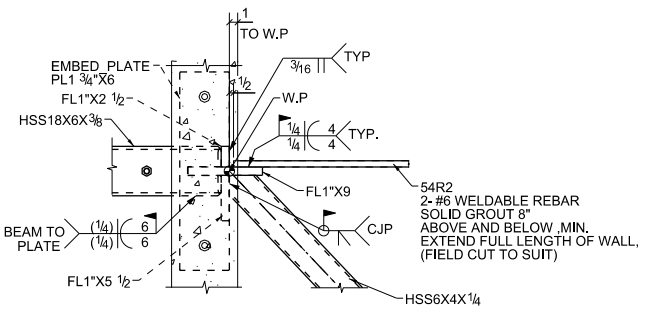
APPROVER TO VERIFY ALL CLOUDED PORTION.

NO. 02/18/2015		CB	MSB	FOR APPROVAL
DATE	BY	CHK'D	REVISION	
PAINT SPEC.: One Coat Shop Primer				
REFERENCE DRAWINGS: Structural Design Set				
Simsona Corp. 2275 Research Boulevard, Suite 500, Rockville, MD 20850 Office: 301-774-0880 Email: raj@simsona.com				
<b>GUARDIAN AMBULANCE BUILDING</b>				
CUSTOMER:				
SCALE	DRAWN	CB	P.O.#	Structural Design Set
MET. SPEC. A36 U.N.	CHECKED	MSB	DATE	02/18/2015
ERECTOR	DATE	DATE	DATE	DATE
DWG. E9	NTS	1:24	SHT.#	E7
				REV. B

Tetra Structures



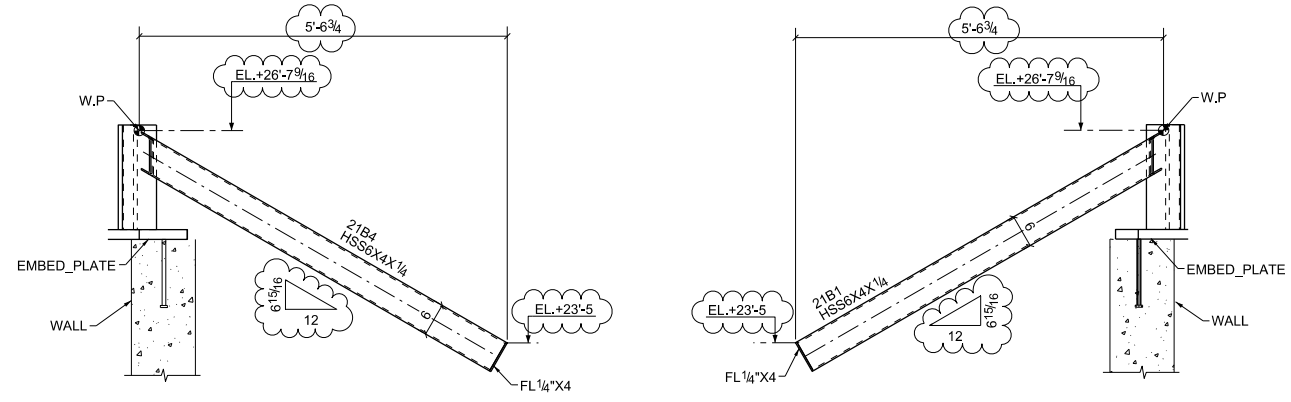
**ROOF FRAMING PLAN.**  
 REF: (S6.1)  
 (TOP OF ROOF ELEVATION VARIES U.N.O)  
 (TOP OF STEEL ELEVATION VARIES U.N.O)



**DETAIL 1**  
 (REF: 256/S8.2)

**NOTE:-**  
 ALL HSS BEAMS ARE LONG SIDE VERTICAL (U.N.O)

**LEGEND:-**  
 (LSH) - LONG SIDE HORIZONTAL

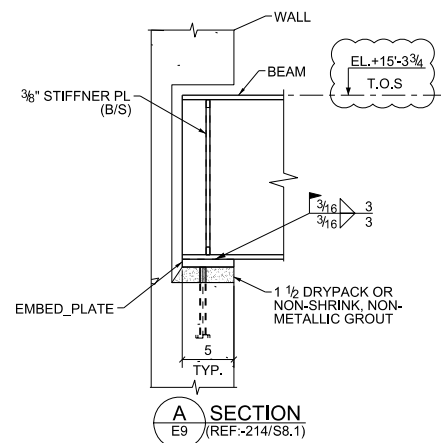


**AA SECTION**  
 E8

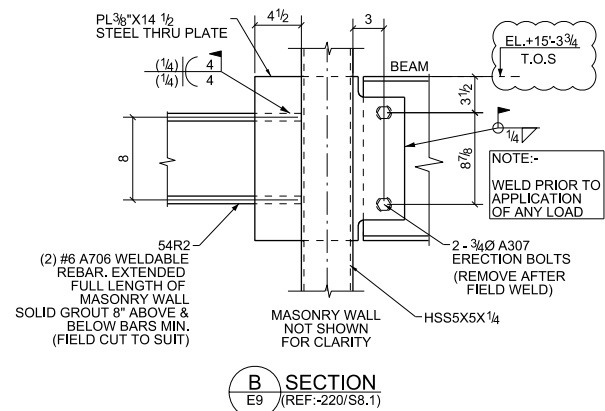
**AB SECTION**  
 E8

APPROVER TO VERIFY ALL CLOUDED PORTION.

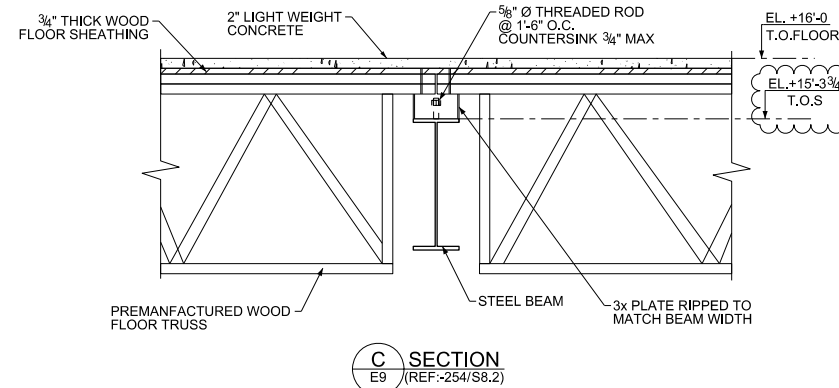
NO.	DATE	BY	CHK'D	REVISION
B	02/18/2015	CB	MSB	FOR APPROVAL
PAINT SPEC.: One Coat Shop Primer				
REFERENCE DRAWINGS: Structural Design Set				
<b>SIMSONA</b> ENGINEERING SERVICES				
Simsona Corp. 2275 Research Boulevard, Suite 500, Rockville, MD 20850 Office: 301-774-0880 Email: raj@simsona.com				
<b>GUARDIAN AMBULANCE BUILDING</b>				
CUSTOMER:				
DRAWN	CB	DATE	Structural Design Set	
CHECKED	MSB	02/18/2015	W.O.S	
ERECTOR	DATE		REV.	
DWG.	E10, E11 & E12	NTS	SHT. #	E8
				B



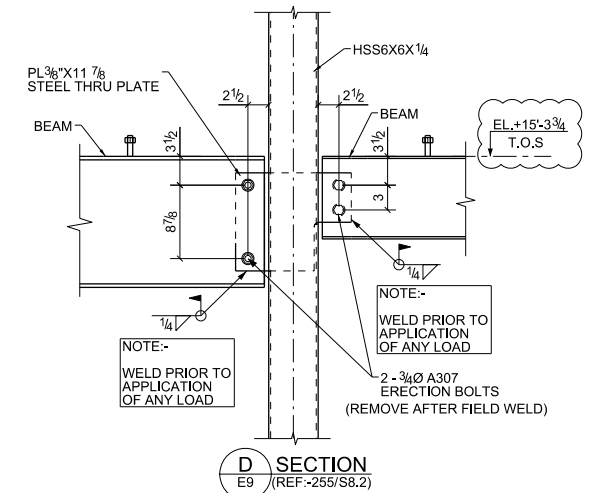
**A SECTION**  
E9 (REF.-214/S8.1)



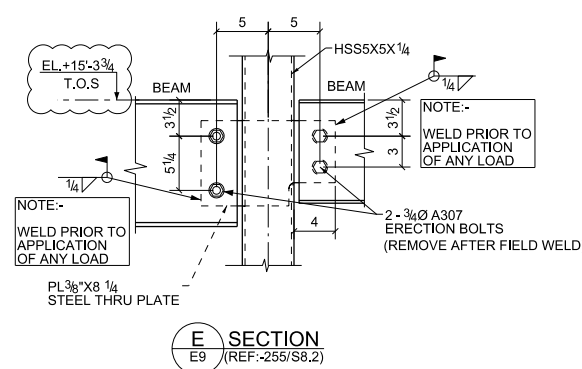
**B SECTION**  
E9 (REF.-220/S8.1)



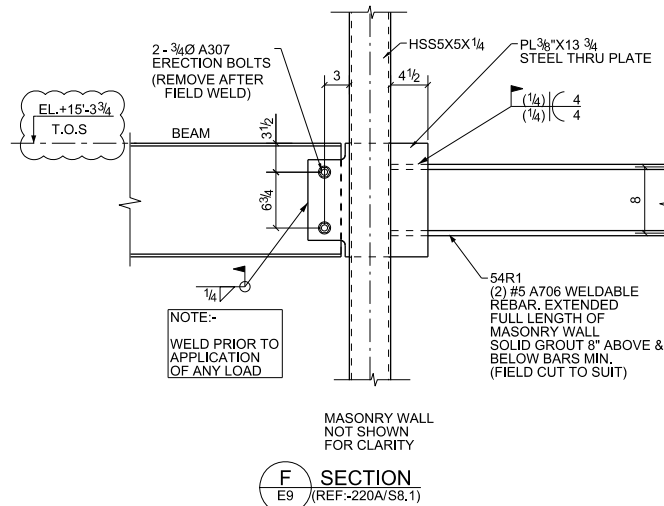
**C SECTION**  
E9 (REF.-254/S8.2)



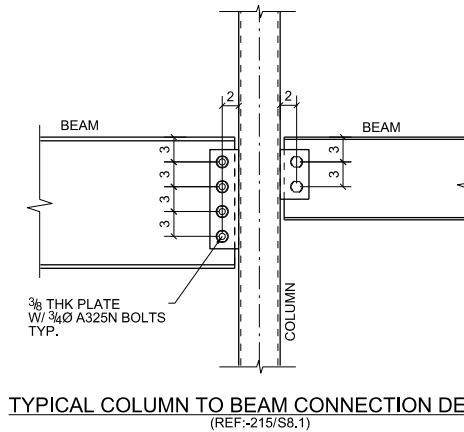
**D SECTION**  
E9 (REF.-255/S8.2)



**E SECTION**  
E9 (REF.-255/S8.2)



**F SECTION**  
E9 (REF.-220/S8.1)



**TYPICAL COLUMN TO BEAM CONNECTION DETAIL**  
(REF.-215/S8.1)

APPROVER TO VERIFY  
ALL CLOUDED PORTION.

NO.	DATE	BY	CHK'D	REVISION
B	02/18/2015	CB	MSB	FOR APPROVAL
PAINT SPEC.: One Coat Shop Primer				
REFERENCE DRAWINGS: Structural Design Set				
<p>Simsona Corp. 2275 Research Boulevard, Suite 500, Rockville, MD 20850 Office: 301-774-0880 Email: raj@simsona.com</p>				
<b>GUARDIAN AMBULANCE BUILDING</b>				
CUSTOMER				
HOLE DIA	13/16 Ø U.N.	DRAWN BY	CB	P.O.#
MET. SPEC.	A36 U.N.	CHECKED BY	MSB	DATE
ERECTOR		DATE	02/18/2015	W.O.#
DWG.	E7	SCALE	1/24	REV.
		PLOT SCALE	NTS	E9
				B