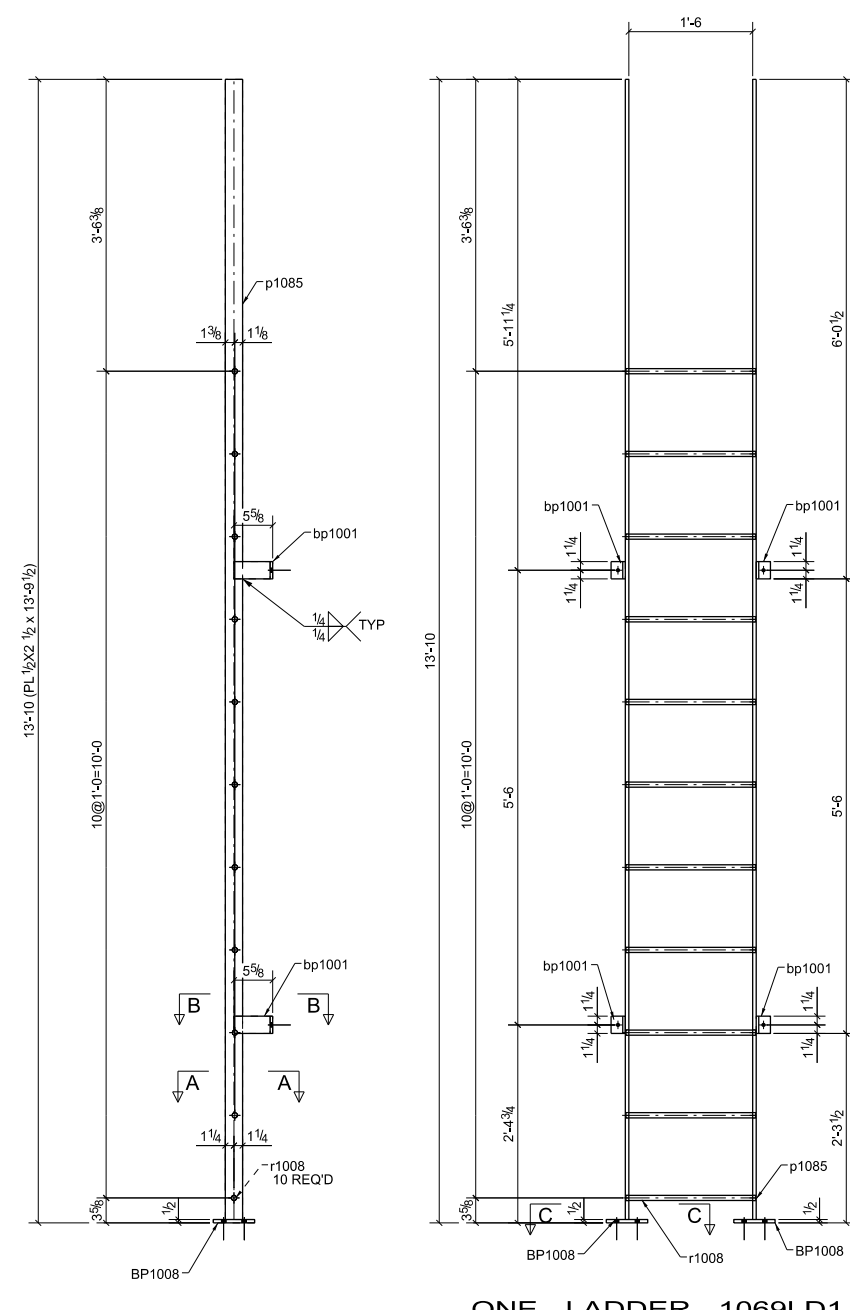
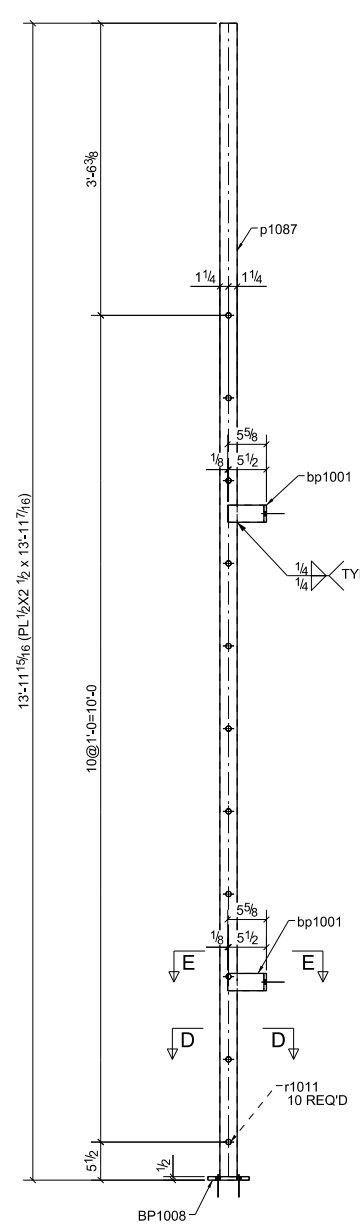
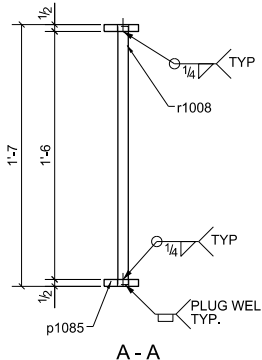
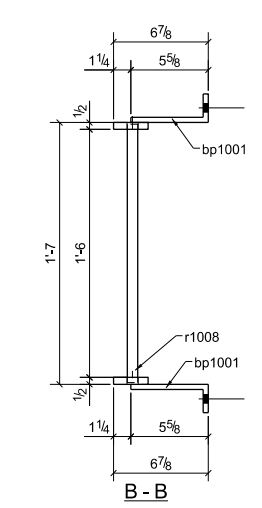
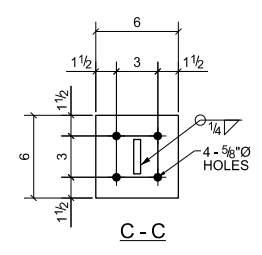


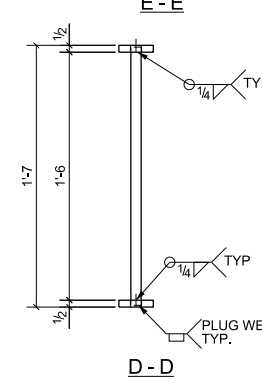
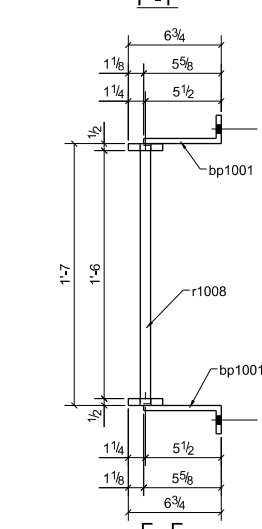
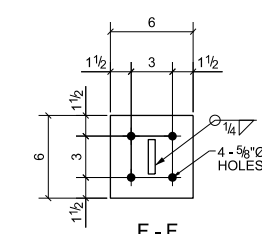
BILL OF MATERIAL					
MARK	QTY	DESCRIPTION	LENGTH	WEIGHT	REMARKS
1069LD1	1	LADDER			
1069LD1	1	PL1/2"X2 1/2"	13'-9 1/2"	59	A36
BP1008	2	PL1/2"X6"	0'-6"	10	A36
bp1001	4	PL3/8"X2 1/2"	0'-6 15/16"	8	A36
p1085	1	PL1/2"X2 1/2"	13'-9 1/2"	59	A36
r1008	11	ROD3/4"	1'-6 3/4"	23	A36
1069LD2	1	LADDER			
1069LD2	1	PL1/2"X2 1/2"	13'-11 7/16"	59	A36
BP1008	2	PL1/2"X6"	0'-6"	10	A36
bp1001	4	PL3/8"X2 1/2"	0'-6 15/16"	8	A36
p1087	1	PL1/2"X2 1/2"	13'-11 7/16"	59	A36
r1008	10	ROD3/4"	1'-6 3/4"	21	A36
r1011	1	ROD3/4"	1'-6 3/4"	2	A36
TOTAL WEIGHT THIS DRAWING				319	



ONE - LADDER - 1069LD1




ONE - LADDER - 1069LD2

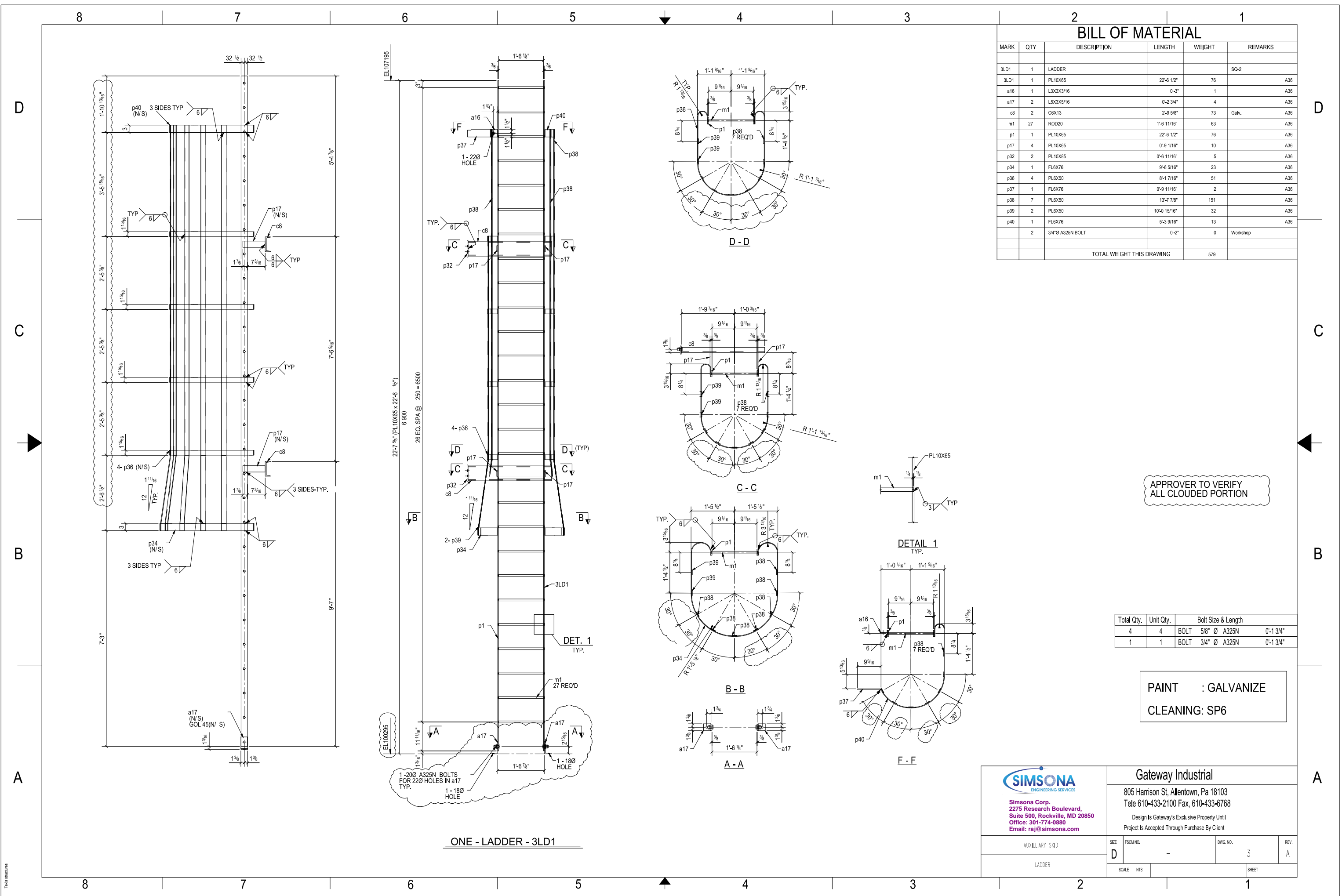


NOTE :
FIELD VERIFY ALL HEIGHT ELEVATIONS BEFORE START FABRICATION.

- GENERAL NOTES :-
1. PREP : SSPC-SP3
 2. FINISH : ONE SHOP COAT OF PRIMER (U.N.O)
 3. WELD : 70 SERIES WIRE
 4. BOLTS : A325N (U.N.O)
 5. HOLES : 13/16 Ø (U.N.O)
 6. 0'-3" NO PAINT AROUND OPEN HOLES FOR SC BOLTS.

Total Qty.	Unit Qty.	Bolt Size & Length
24	24	BOLT 1/2" Ø EXP_ANC 0'-3"

△		
△		
△	For Fabrication	02/23/2016
REV.	DESCRIPTION	DATE
PROJECT NAME: KROGER BULIDING SW394		
LOCATION: LAKE CHARLES, LOUISIANA CALCASIEU PARISH		
CONTR: MAPP Construction		
 Simsona Corp. 2275 Research Boulevard, Suite 500, Rockville, MD 20850 Office: 301-774-0880 Email: raj@simsona.com		
DRAWN BY: AKK	DATE: 02/23/2016	CHECKED BY: DRN
JOB NO. 56056	LADDER	SHEET NO. 1069



BILL OF MATERIAL

MARK	QTY	DESCRIPTION	LENGTH	WEIGHT	REMARKS
3LD1	1	LADDER			SO-2
3LD1	1	PL10X65	22'-6 1/2"	76	A36
a16	1	L3X3X3/16	0'-3"	1	A36
a17	2	L5X3X5/16	0'-2 3/4"	4	A36
c8	2	C8X13	2'-9 5/8"	73	Galv. A36
m1	27	ROD20	1'-6 11/16"	63	A36
p1	1	PL10X65	22'-6 1/2"	76	A36
p17	4	PL10X65	0'-9 11/16"	10	A36
p32	2	PL10X65	0'-6 11/16"	5	A36
p34	1	FL6X76	9'-6 5/16"	23	A36
p36	4	PL6X50	6'-1 7/16"	51	A36
p37	1	FL6X76	0'-9 11/16"	2	A36
p38	7	PL6X50	13'-7 7/8"	151	A36
p39	2	PL6X50	10'-0 15/16"	32	A36
p40	1	FL6X76	5'-3 9/16"	13	A36
	2	3/4" Ø A325N BOLT	0'-2"	0	Workshop
TOTAL WEIGHT THIS DRAWING				579	

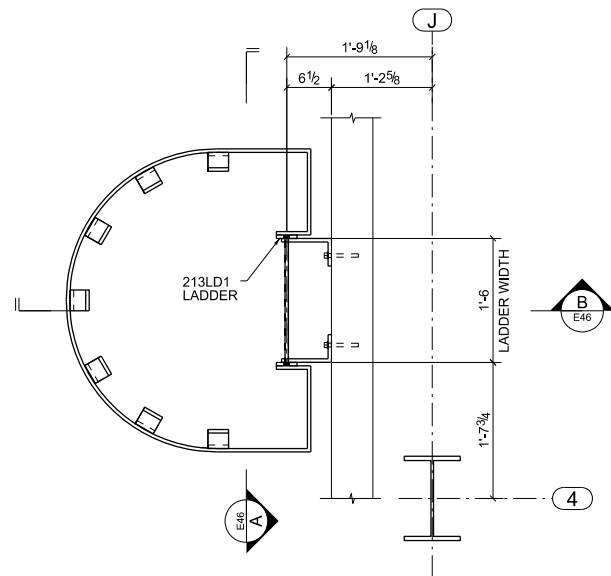
APPROVER TO VERIFY ALL CLOUDED PORTION

Total Qty.	Unit Qty.	Bolt Size & Length
4	4	BOLT 5/8" Ø A325N 0'-1 3/4"
1	1	BOLT 3/4" Ø A325N 0'-1 3/4"

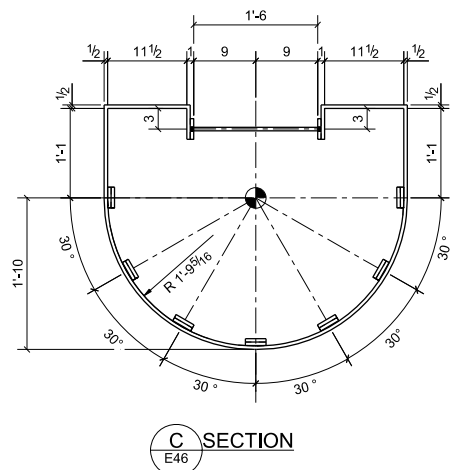
PAINT : GALVANIZE
CLEANING: SP6

 Simsiona Corp. 2275 Research Boulevard, Suite 500, Rockville, MD 20850 Office: 301-774-0880 Email: raj@simsona.com	Gateway Industrial 805 Harrison St, Allentown, Pa 18103 Tele 610-433-2100 Fax, 610-433-6768 Design Is Gateway's Exclusive Property Until Project Is Accepted Through Purchase By Client		
	AUXILIARY SKID	SIZE D	REV. A
LADDER	SCALE NTS	SHEET	3

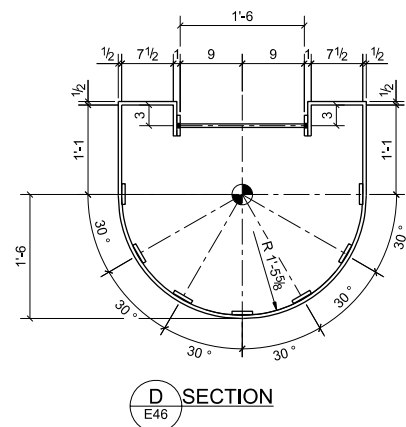
ONE - LADDER - 3LD1



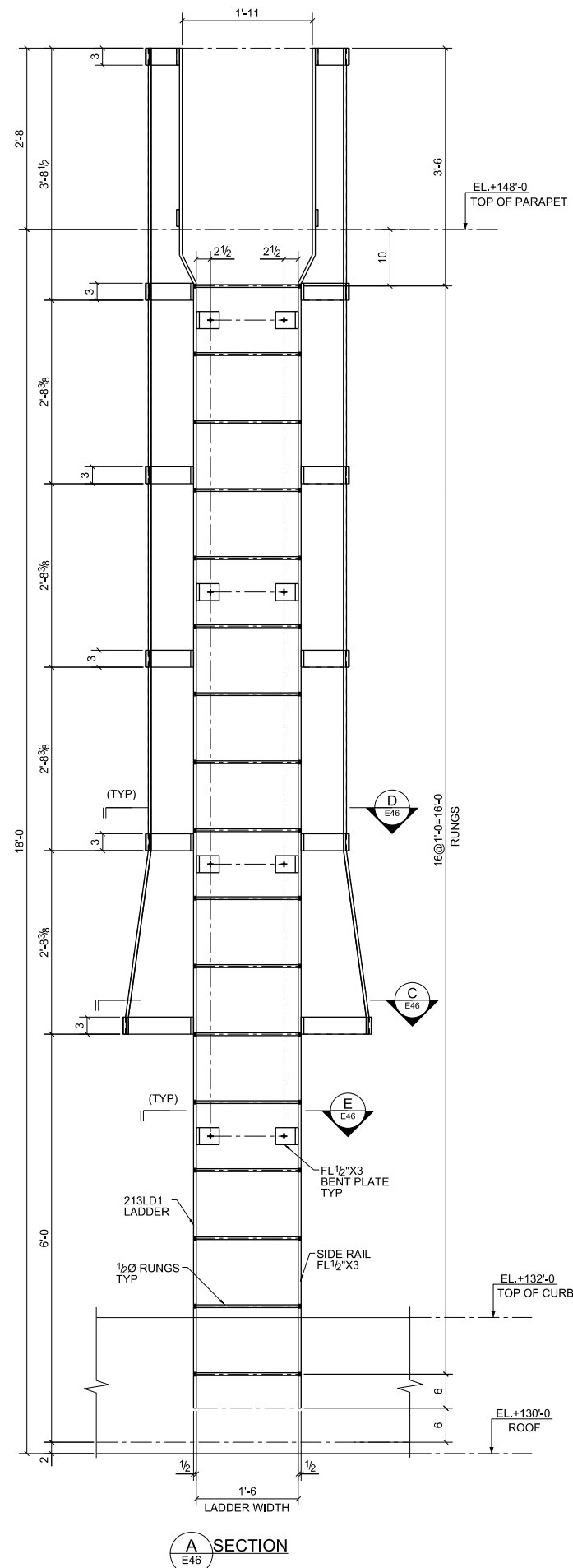
CAGED ROOF ACCESS LADDER PLAN
(REF:-A6.1 & A6.3)



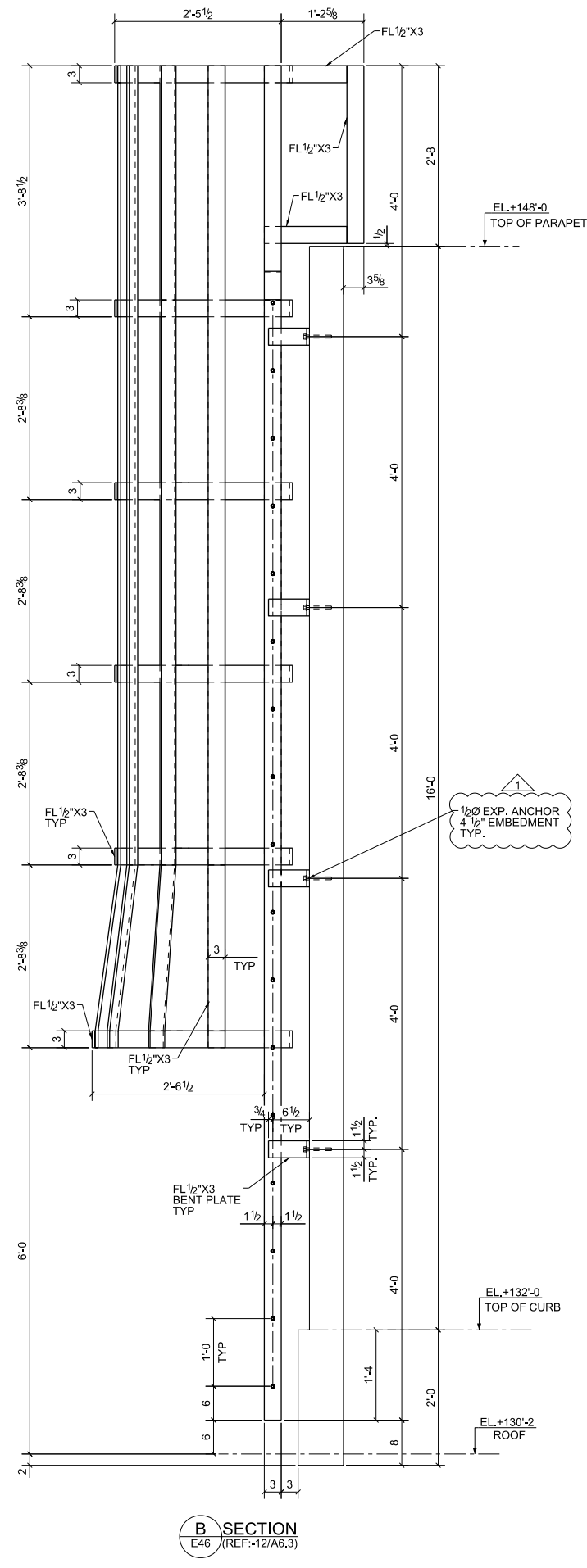
C SECTION
E46



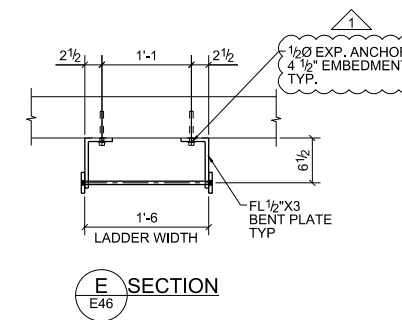
D SECTION
E46



A SECTION
E46




B SECTION
E46 (REF:-12/A6.3)



E SECTION
E46

ALL STEEL SHOULD BE GALVANIZED

FOR FIELD

1	For Field	03/11/2016
REV.	DESCRIPTION	DATE
 Simsona Corp. 2275 Research Boulevard, Suite 500, Rockville, MD 20850 Office: 301-774-0880 Email: raj@simsona.com		
DESCRIPTION	CAGED ROOF ACCESS LADDER PLAN	
PROJECT NAME	WILLIS KNIGHTON MEDICAL CENTER	
DRAWN BY	VP	JOB No.
DATE DRAWN	03/11/2016	15-176
		DRG No.
		E46